



2ST OVERHEAD PRESS

OWNER'S MANUAL

REVISED: Nov. 6, 1998

SERIAL NO.'S

through

Contents

Parts Manual

- 1 CROSSMEMBER & SEAT FRAME ASSEMBLY
- 2 SEAT & PAD ASSEMBLY
- 3 MOVEMENT ARM ASSEMBLY
- 4 BELT & PULLEY ASSEMBLY
- 5 WEIGHT STACK ASSEMBLY
- 6 WEIGHT STACK ASSEMBLY
- 7 PARTS LIST
- 8 PARTS LIST

Maintenance Manual

Follows page 8

See last pages of this manual for 2ST Strength Circuit Exercise Order Diagram and 2ST Floor Plan Kit.



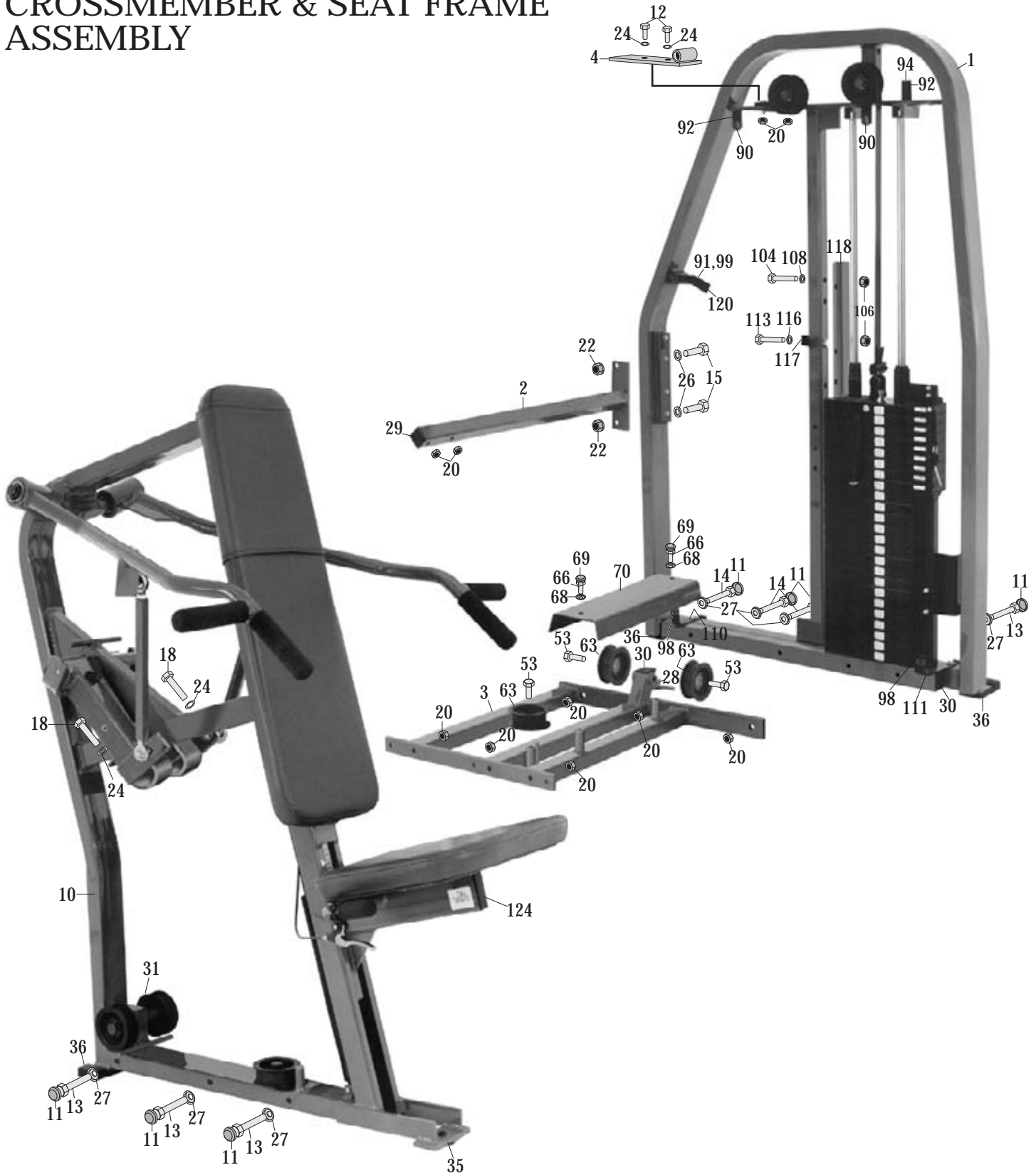
PARTS AND SERVICE
709 Powerhouse Road
Independence, Virginia 24348
800-235-2233
Fax: 540-773-2298



19-4928

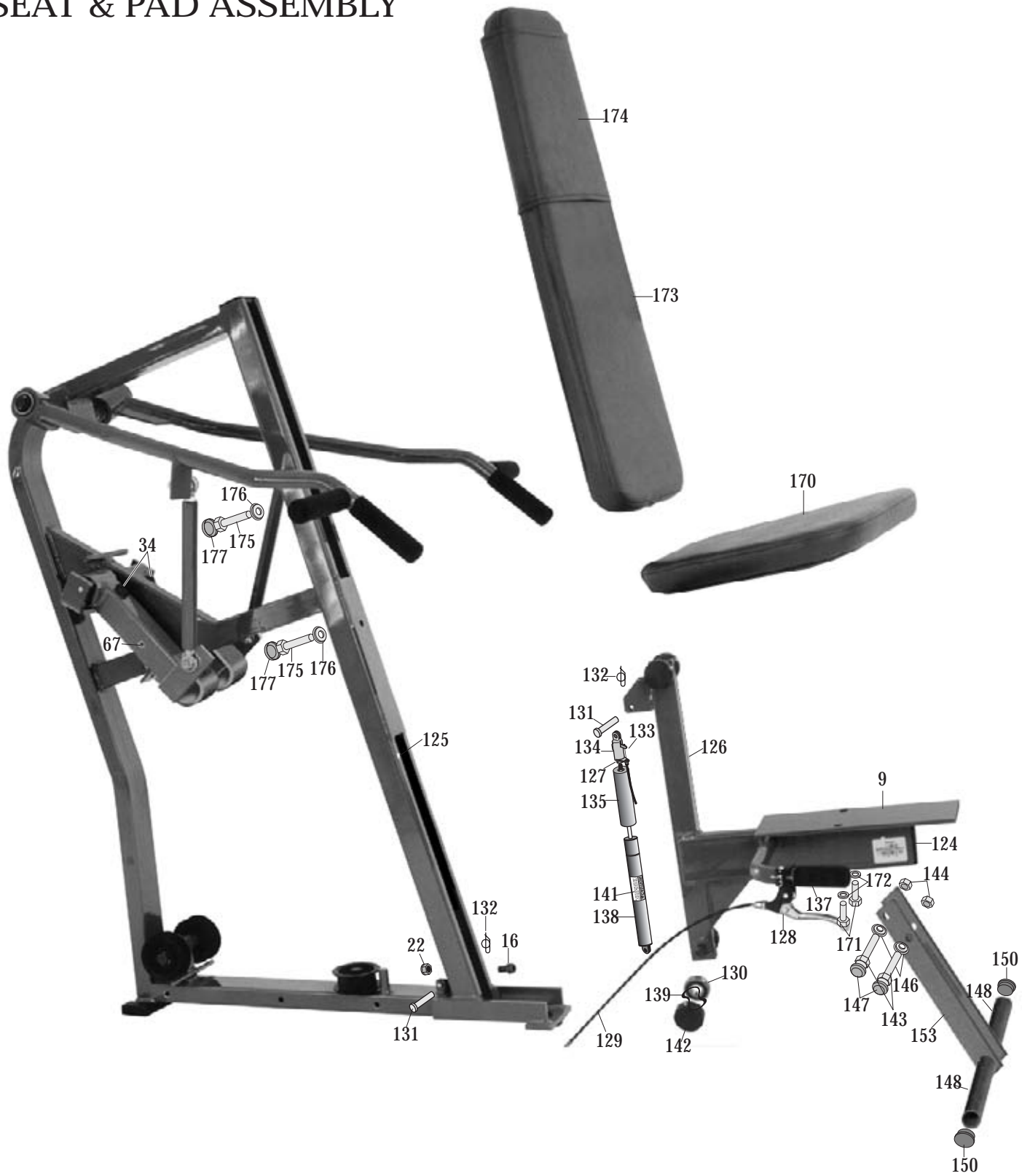
Nautilus® 2ST Overhead Press

CROSSMEMBER & SEAT FRAME ASSEMBLY

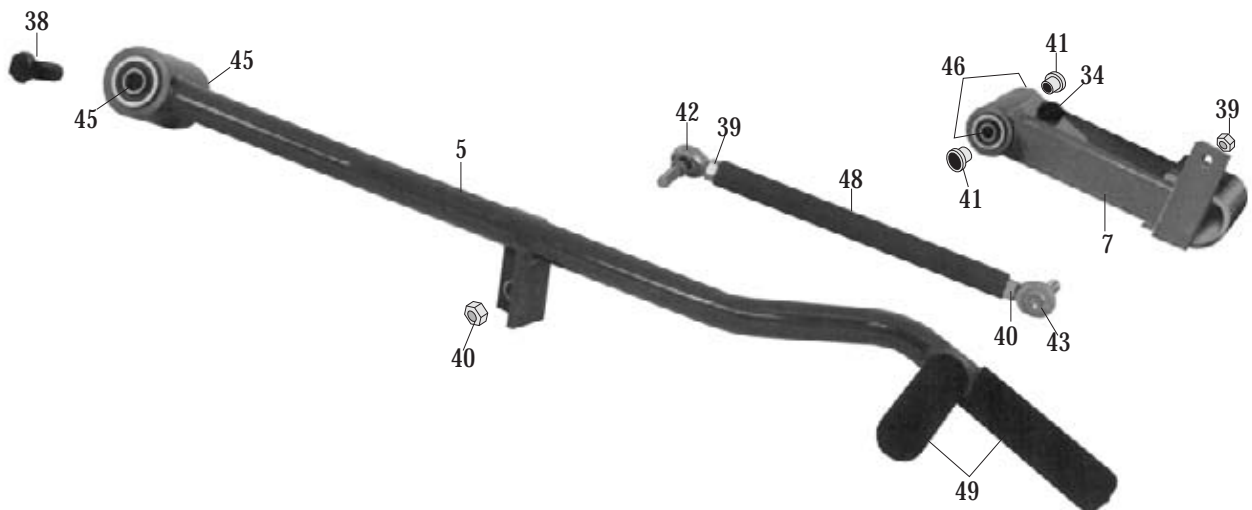


Nautilus® 2ST Overhead Press

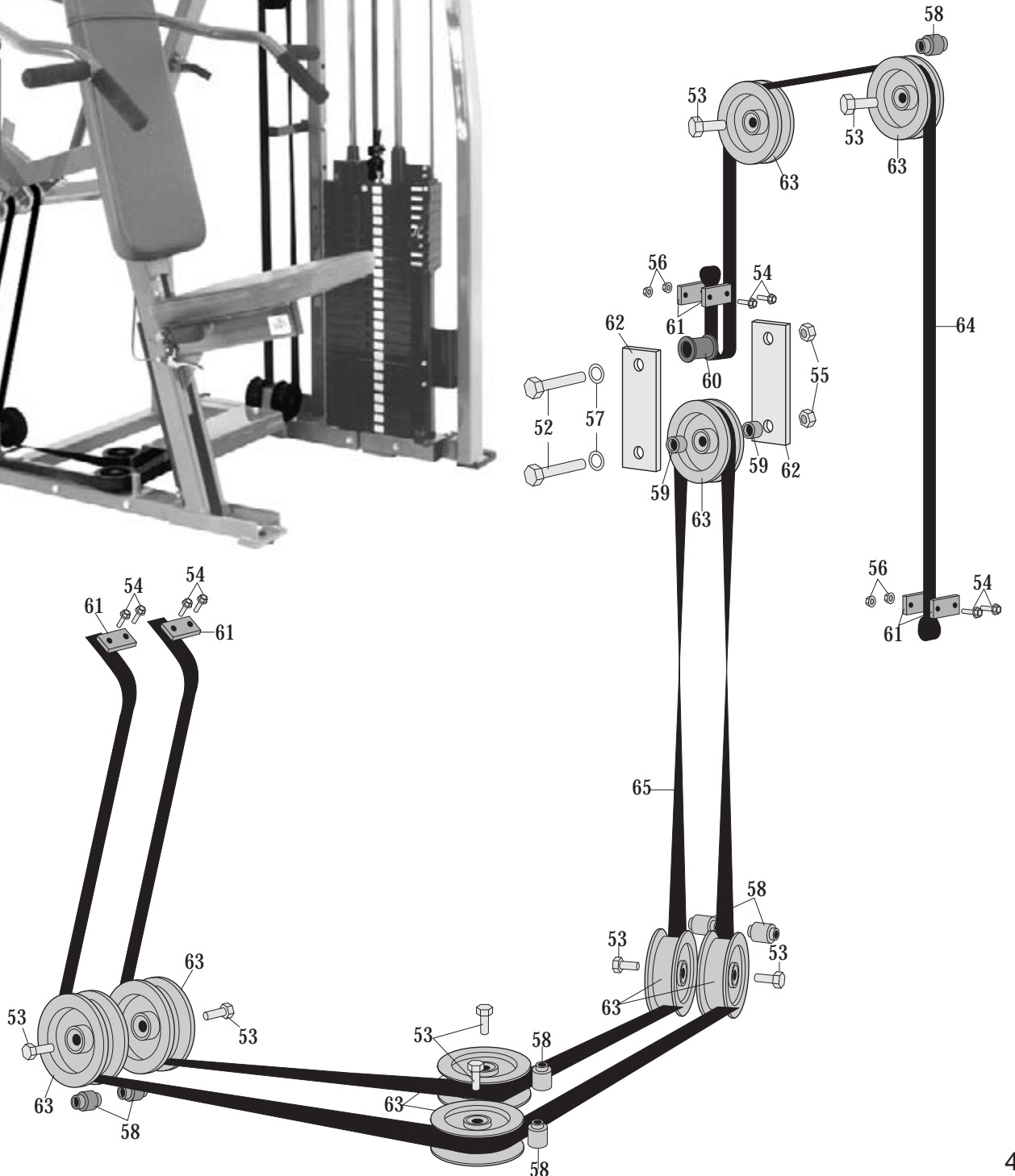
SEAT & PAD ASSEMBLY



MOVEMENT ARM
ASSEMBLY



BELT & PULLEY ASSEMBLY



24 WEIGHT STACK



**USE CAUTION
WHEN WORKING
WITH WEIGHT
STACK !**

STANDARD

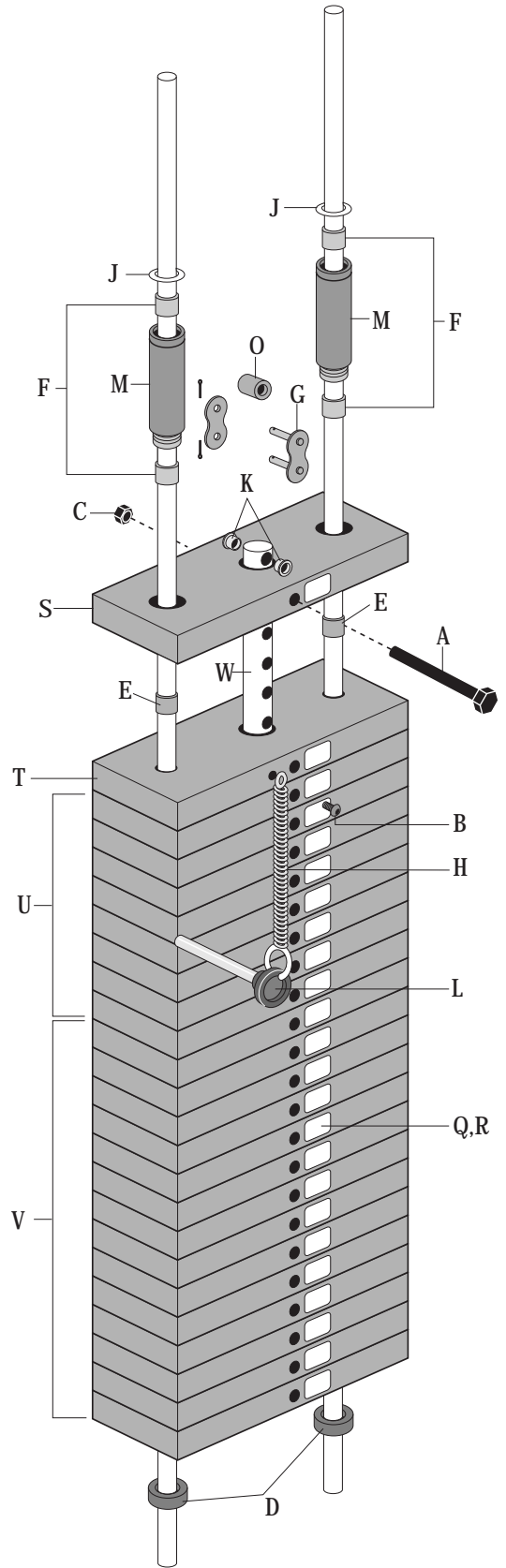
REF #	PART #	DESCRIPTION
A	01-0010	200 lb. WEIGHT STACK (20-200)
B	02-9190	BOLT HH2 7/16-14 X 4 1/2 BLACK
C	03-1045	1/4-20 X 3/4 FLANGE BUTTON HD. SCREW
D	04-5070	NUT NTE 7/16 BLACK
E	05-4020	RUBBER WEIGHT STACK WASHER
F	05-4055	BOTTOM WEIGHT BUSHING
G	06-2005	TOP WEIGHT BUSHING
H	06-2005	CHAIN LINK #100 CONNECTING LINK
I	06-7064	COIL SUPER 6"
J	06-8150	1 1/4 EXTERNAL SNAP RING
K	06-8254	SNAP RING 1"
L	07-4000	NYLINER PLASTIC BUSHING
M	07-8296	PIN WEIGHT SELECTOR W/MAGNET 4" LENGTH
N	07-9268	TOP WEIGHT SLEEVE
O	09-3066	HOLE PLUG 1 1/4 DIA WHITE
P	09-6135	BELT ROLLER
Q	12-1024	DECAL WARNING 3"
R	12-1052	WEIGHT STACK DECAL 20-250 lbs
S	12-1062	WEIGHT STACK DECAL 9.1 - 113.7 kg
T	17-2204	1 X 4 X 9.330 TOP WEIGHT STEEL, 10 lbs.
U	17-2206	1 X 4 X 9.330 SECOND WEIGHT STEEL, 10 lbs.
V	17-2203	1 X 4 X 9.330 BOTTOM WEIGHT STEEL, 10 lbs.
W	17-4115	WEIGHT STACK PIN 24 HOLE
X	BSF509	WEIGHT STACK STAND 8"
Y	07-9269	3" WEIGHT STACK SPACER
Z	09-2060	1 1/2 X 3" HOLE PLUG

WOMEN'S/MEDICAL

REF #	PART #	DESCRIPTION
A	01-0010	130 lb. WEIGHT STACK (10-130)
B	02-9190	BOLT HH2 7/16-14 X 4 1/2 BLACK
C	03-1045	1/4 X 1/2 PAN HD TYPE "F" SCREW BLACK
D	04-5070	NUT NTE 7/16 BLACK
E	05-4020	RUBBER WEIGHT STACK WASHER
F	05-4055	BOTTOM WEIGHT BUSHING
G	05-4055	TOP WEIGHT BUSHING
H	06-2005	CHAIN LINK #100 CONNECTING LINK
I	06-7064	COIL SUPER 6"
J	06-8150	1 1/4 EXTERNAL SNAP RING
K	06-8254	SNAP RING 1"
L	07-4000	NYLINER PLASTIC BUSHING
M	07-8296	PIN WEIGHT SELECTOR W/MAGNET 4" LENGTH
N	07-9268	TOP WEIGHT SLEEVE
O	09-3066	HOLE PLUG 1 1/4 DIA WHITE
P	09-6135	BELT ROLLER
Q	12-1024	DECAL WARNING 3"
R	12-1056	WEIGHT STACK DECAL 10-180 lbs
S	12-1061	WEIGHT STACK DECAL 4.6 - 81 kg
T	17-2210	1 X 4 X 9.330 TOP WEIGHT ALUM., 3.5 lbs.
U	17-2212	1 X 4 X 9.330 SECOND WEIGHT ALUM., 3.5 lbs.
V	17-2211	1 X 4 X 9.330 BOTTOM WEIGHT ALUM., 3.5 lbs.
W	17-2203	1 X 4 X 9.330 BOTTOM WEIGHT STEEL, 10 lbs.
X	17-4115	WEIGHT STACK PIN 24 HOLE
Y	BSF509	WEIGHT STACK STAND 8"
Z	07-9269	3" WEIGHT STACK SPACER
Z	09-2060	1 1/2 X 3" HOLE PLUG

SUPER STACK

REF#	PART #	DESCRIPTION
A	01-0010	290 lb. WEIGHT STACK (20-290)
B	02-9190	BOLT HH2 7/16-14 X 4 1/2 BLACK
C	03-1045	1/4 X 1/2 PAN HD TYPE "F" SCREW BLACK
D	04-5070	NUT NTE 7/16 BLACK
E	05-4020	RUBBER WEIGHT STACK WASHER
F	05-4055	BOTTOM WEIGHT BUSHING
G	05-4055	TOP WEIGHT BUSHING
H	06-2005	CHAIN LINK #100 CONNECTING LINK
I	06-7064	COIL SUPER 6"
J	06-8150	1 1/4 EXTERNAL SNAP RING
K	06-8254	SNAP RING 1"
L	07-4000	NYLINER PLASTIC BUSHING
M	07-8297	PIN WEIGHT SELECTOR W/MAGNET 7" LENGTH
N	07-9268	TOP WEIGHT SLEEVE
O	09-3066	HOLE PLUG 1 1/4 DIA WHITE
P	09-6135	BELT ROLLER
Q	12-1028	DECAL WARNING 6"
R	12-1057	WEIGHT STACK DECAL 20-365 lbs
S	12-1064	WEIGHT STACK DECAL 9.1 - 165.9 kg
T	17-2204	1 X 4 X 9.330 TOP WEIGHT STEEL, 10 lbs.
U	17-2207	1 X 6 X 9.330 SECOND WEIGHT STEEL, 15 lbs.
V	17-2205	1 X 6 X 9.330 BOTTOM WEIGHT STEEL, 15 lbs.
W	17-2205	1 X 6 X 9.330 BOTTOM WEIGHT STEEL, 15 lbs.
X	17-4115	WEIGHT STACK PIN 24 HOLE
Y	BSF509	WEIGHT STACK STAND 8"
Z	07-9269	3" WEIGHT STACK SPACER
Z	09-2060	1 1/2 X 3" HOLE PLUG



**OPTION 1
NO STAND**

2LR, 2PF

OPTION 2

2AB, 2BP, 2CR, 2IP, 2LCP, 2LE, 2LB, 2OP, 2TP, 2LCS, 210, 2VC

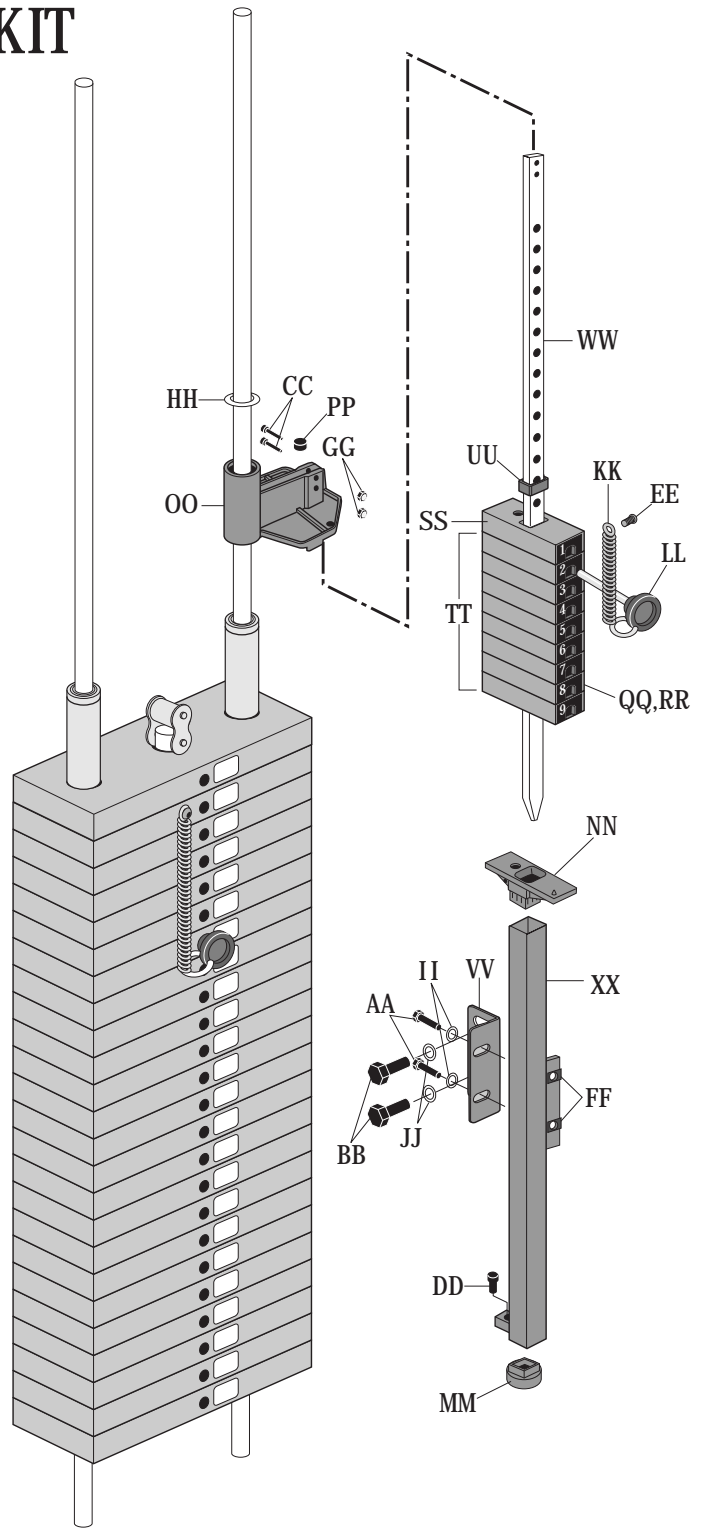
OPTION 3

2HAD, 2HAB, 2RT, 2SC

04-29-98

MINI 24 ADD-ON WEIGHT KIT

REF #	PART #	DESCRIPTION
AA	02-4108	3/8-16 X 3/4 ALLEN CAP SCREW
BB	01-1258	1/2 X 3/4 HEX BOLT BLACK
CC	01-4035	1/4 X 1-1/4 WIZ BOLT BLACK
DD	02-4110	3/8 X 1-1/4 ALLEN CAP SCREW
EE	02-4134	1/4 X 1/2 PAN HD TYPE "F" SCREW BLACK
FF	03-5111	3/8 CLIP NUT
GG	03-4290	1/4 WIZ NUT BLACK ZINC
HH	06-8150	1 1/4 EXT. SNAP RING
II	04-5206	3/8 SAE FLAT WASHER BLACK
JJ	04-5214	1/2 LOCK WASHERS BLACK
KK	06-7062	.450 OD 5" SUPER COIL
LL	07-8045	ADD ON WEIGHT SELECTOR PIN & KNOB
MM	07-9245	MOLDED WEIGHT STAND INSERT
NN	07-9250	MOLDED ADD-ON-WEIGHT BASE
OO	07-9255	MOLDED ADD-ON-WEIGHT LINK
PP	09-3072	HOLE PLUG 3/8" BLACK
QQ	12-1063	ADD ON WEIGHT DECAL KG
RR	12-1066	ADD ON WEIGHT DECAL LBS
SS	17-5998	CAST ADD-ON SECOND PLATE
TT	17-5999	CAST ONE POUND WEIGHT
UU	17-6015	RECTANGULAR WEIGHT BUSHING
VV	17-6020	ANGLE BRACKET



OPTION 1 - NO WEIGHT STAND:
 2LR, 2PF
 WW 07-9292 SHORT MINIWEIGHT STACK PIN
 XX BSF512 SHORT MINIWEIGHT STAND

OPTION 2 - 3" WEIGHT STAND:
 2AB, 2BP, 2CR, 2IP, 2LCP, 2LE, 2LB, 2OP, 2TP, 2LC, 210, 2VC
 WW 17-4137 STANDARD MINI WEIGHT STACK PIN
 XX BSF511 STANDARD MINI WEIGHT STAND

OPTION 3 - 8" WEIGHT STAND:
 2HAD, 2HAB, 2RT, 2SC
 WW 17-4137 STANDARD MINI WEIGHT STACK PIN
 XX BSF513 TALL MINI WEIGHT STAND



**USE CAUTION
 WHEN WORKING
 WITH WEIGHT
 STACK !**

**OPTION 1
 NO STAND**

2LR, 2PF

OPTION 2

2AB, 2BP, 2CR, 2IP, 2LCP, 2LE,
 2LB, 2OP, 2TP, 2LCS, 210, 2VC

OPTION 3

2HAD, 2HAB, 2RT, 2SC

2ST OVERHEAD PRESS

E.L. CODES:

2OPS FULLY SHIELDED OVERHEAD PRESS
 2WOPS FULLY SHIELDED WOMENS' OVERHEAD PRESS
 2MOPS FULLY SHIELDED MEDICAL OVERHEAD PRESS
 2OP PARTIAL SHIELDED OVERHEAD PRESS
 2WOP PARTIAL SHIELDED WOMENS' OVERHEAD PRESS
 2SOP PARTIAL SHIELDED SUPER OVERHEAD PRESS

REF# PART# DESCRIPTION

E.L. CODE: 2OPS, 2WOPS, 2MOPS, 2OP, 2WOP, 2SOP
 WL15 WELDMENT KIT OVERHEAD PRESS

1.....BF501.....BACK FRAME ASSEMBLY
 2.....CM524.....TOP CROSSMEMBER ASSEMBLY
 3.....CM526.....BOTTOM CROSSMEMBER ASSEMBLY
 4.....LK516.....IDLER MOUNT ASSEMBLY
 5.....MA529.....RIGHT MOVEMENT ARM ASSEMBLY
 6.....MA530.....LEFT MOVEMENT ARM ASSEMBLY
 7.....MA531.....RIGHT WEIGHT ARM ASSEMBLY
 8.....MA532.....LEFT WEIGHT ARM ASSEMBLY
 9.....SE502.....SEAT ASSEMBLY
 10.....SF509.....SEAT FRAME ASSEMBLY

E.L. CODE: 2OPS, 2WOPS, 2MOPS, 2OP, 2WOP, 2SOP
 FR13 FRAME KIT OVERHEAD PRESS

11.....04-5145.....PLASTIC BOLT CAP
 12.....02-9220.....BOLT HH5 3/8 X 1 1/4
 13.....02-9071.....3/8 X 3-3/4 HH5
 14.....02-9074.....3/8 X 4 1/4 HH5
 15.....01-1271.....1/2 X 1 1/4 HH5
 16.....02-4115.....1/2 X 3/4 AC
 17.....02-9071.....3/8 X 3-3/4 HH5 BLACK
 18.....02-9250.....3/8 X 2-1/4 HH5 BLACK
 19.....03-1035.....NUT 3/8 NTE
 20.....03-1035.....NUT 3/8 BLACK
 21.....03-1055.....NUT 1/2 NTE
 22.....03-1055.....NUT 1/2 BLACK
 23.....04-5213.....3/8 LOC WASH
 24.....04-5213.....3/8 LOC WASH BLACK
 25.....04-5214.....1/2 LOC WASH
 26.....04-5214.....1/2 LOC WASHER BLACK
 27.....04-5135.....3/8" BOLT CAP WASHER
 28.....09-2010.....FRAME PLUG 1 1/4 SQ
 29.....09-2020.....1 1/2 SQ. HOLE PLUG
 30.....09-2040.....1 1/2 X 2 HOLE PLUG
 31.....09-2060.....1 1/2 X 3 HOLE PLUG
 32.....09-2090.....2 X 3 11 GA HOLE PLUG
 33.....09-3064.....1/2" WHITE HOLE PLUG
 34.....09-4092.....NEOPRENE BUMPERS
 35.....09-5030.....FOOTPAD MOLDED ROUND
 36.....09-5035.....FOOTPADS MOLDED RECT.
 37.....12-1001.....SEAT POSITION ARROW

E.L. CODE: 2OPS, 2WOPS, 2MOPS, 2OP, 2WOP, 2SOP
 LN05 LINKAGE KIT OVERHEAD PRESS

38.....01-2180.....BOLT HH5 5/8 X 1 1/2
 39.....03-5114.....STANDARD 1/2-20 RIGHT HAND THREAD NUT
 40.....03-5115.....STANDARD 1/2-20 LEFT HAND THREAD NUT
 41.....05-6095.....6203 BNG BUSHINGS
 42.....06-9030.....SEALMASTER ROD ENDS DELRIN RH THREADS
 43.....06-9032.....SEALMASTER ROD ENDS DELRIN LH THREADS
 44.....07-1070.....7510 ROLLER BNGS
 45.....07-1250.....30MM ROLLER BNGS
 46.....07-5065.....203 PP BEARINGS 17MM
 47.....07-9002.....WA SHAFT
 48.....07-9283.....DRAG LINKS (RH & LH THREADS)
 49.....09-1105.....GRIP HAND 1 1/8 X 5 CLOSED END
 50.....09-3030.....7/8 DIA HOLE PLUG
 51.....09-3040.....1 DIA HOLE PLUG

REF# PART# DESCRIPTION

E.L. CODE: 2OPS, 2WOPS, 2MOPS, 2OP, 2WOP, 2SOP
 BLT15 BELT & PULLEY KIT OVERHEAD PRESS

52.....01-1321.....BOLT HH5 1/2 X 2 1/2
 53.....01-2180.....BOLT HH5 5/8 X 1 1/2 BLACK
 54.....01-4030.....1/4 X 1 WHIZ FLANGE SM PATTERN BLACK
 55.....03-1055.....1/2 NTE
 56.....03-4290.....1/4-20 WHIZ FLANGE L/N SM PATTERN BLACK
 57.....04-5214.....1/2 LOK WASHER
 58.....06-5045.....ANTI-JUMP ROLLER
 58A.....07-5072.....ANTI-JUMP ROLLER SPACER
 59.....07-8363.....IDLER PULLEY SPACER
 60.....07-8366.....BELT ANCHOR TUBE
 61.....07-8982.....END STRAP CLAMP W/5/16 HOLES
 62.....07-9079.....IDLER PLATES
 63.....09-8327.....3" PULLEY
 64.....24-6030.....KEVLAR BELT 66" LONG
 65.....24-6030.....KEVLAR BELT 224" LONG

E.L. CODE: 2OPS, 2WOPS, 2MOPS, 2OP, 2WOP, 2SOP
 SH40 SHIELD KIT OVERHEAD PRESS

66.....02-9210.....BOLT HH5 3/8 X 1
 67.....03-4040.....1/4-20 X 5/8 REV NUT (BRASS)
 68.....04-5135.....3/8" BOLT CAP WASHER
 69.....04-5145.....PLASTIC BOLT CAP
 70.....07-9148.....SHEET METAL SHIELD
 71.....12-2778.....PLACARD OVERHEAD PRESS
 72.....12-1026.....KEEP HANDS AWAY
 73.....14-2127.....RIGHT MA SHIELD
 74.....14-2128.....LEFT MA SHIELD
 75.....19-4928.....PARTS DIAGRAM OVERHEAD PRESS
 76.....02-4070.....SCREW SHIELD 1/4 X 3/4

E.L. CODE: 2OPS, 2WOPS, 2MOPS, 2OP, 2WOP, 2SOP
 GR01 GUIDE ROD KIT 1

77.....07-9269.....3" WEIGHTSTACK SPACER
 78.....09-2060.....FRAME PLUG 1 1/2 X 3 11 GA
 79.....17-1375.....GUIDE RODS 51 15/16 LONG

E.L. CODE: 2OPS, 2MOPS, 2OP, 2SOP
 IN01 INSPECTION KIT

80.....12-1080.....INSPECTION STICKER DECAL
 81.....12-1088.....DECAL NAUTILUS NAMEPLATE 2 1/2 x 9 1/4 long
 82.....19-1291.....DECAL SERIAL # BAR CODE
 83.....40-7167.....BAG 50 X 46 X 86 X .002 THICK

E.L. CODE: 2WOPS, 2WOP
 IN03 INSPECTION KIT WOMENS

84.....12-1080.....INSPECTION STICKER DECAL
 85.....12-1175.....NAUTILUS WOMENS NAMEPLATE 2 1/2 x 9 1/4
 86.....19-1291.....DECAL SERIAL # BAR CODE
 87.....40-7167.....BAG 50 X 46 X 86 X .002 THICK

E.L. CODE: 2OP, 2WOP, 2SOP
 SH02 OUTER PARTIAL SHIELD BF501 KIT

88.....02-4070.....SCREW SHIELD 1/4 X 3/4
 89.....02-4074.....SCREW TRUSS 1/4 X 1/2
 90.....03-4060.....1/4-20 CLIP NUT
 91.....07-9137.....FRONT FRAME WORKBOX BRACKET
 92.....07-9138.....UPPER MAIN FRAME SHIELD BRACKET
 93.....19-1015.....2" SQ SERIES 170 DUAL LOC
 94.....19-1016.....1 X 2 RECT. SERIES 400 DUAL LOC
 95.....14-2074.....SHIELD 2ST OUTER BF501

E.L. CODE: 2OPS, 2WOPS, 2MOPS
 SH03 OUTER SHIELD BF501 KIT

96.....02-4070.....SCREW SHIELD 1/4 X 3/4
 97.....02-4074.....SCREW TRUSS 1/4 X 1/2
 98.....03-4060.....1/4-20 CLIP NUT
 99.....07-9137.....FRONT FRAME WORKBOX BRACKET

REF#	PART#	DESCRIPTION
100	07-9138	UPPER MAIN FRAME SHIELD BRACKET
101	19-1015	2" SQ SERIES 170 DUAL LOC
102	19-1016	1 X 2 RECT. SERIES 400 DUAL LOC
103	14-2011	SHIELD OUTER BF501
	<i>E.L. CODE:</i>	2OPS, 2WOPS, 2MOPS
	SH17	INNER SHIELD HARDWARE KIT 3
104	01-1402	BOLT HH5 1/2 X 2 1/4
105	02-4134	1/4 X 1/2 PAN HD. TYPE "F" CUTTING SCREW
106	03-1055	1/2 NTE
107	03-4060	1/4-20 CLIP NUT
108	04-5214	1/2 LOK WASHER
109	07-5422	MOUNT SHIELD LEFT LOWER
110	07-9135	BRACKET SMALL LOWER BASE SHIELD
111	07-9136	BRACKET LARGE LOWER BASE SHIELD
112	02-4070	SCREW SHIELD 1/4 X 3/4
	<i>E.L. CODE:</i>	2OP, 2WOP, 2SOP
	SH23	INNER PARTIAL SHIELD KIT 3
113	01-1402	BOLT HH5 1/2 X 2 1/4
114	03-1055	1/2 NTE
115	03-4060	1/4-20 CLIP NUT
116	04-5214	1/2 LOK WASHER
117	07-9004	SHIELD MOUNT CENTER
118	07-9274	16GA SHEET METAL 2ST SHIELD SHROUD
119	19-1015	2" SQ SERIES 170 DUAL LOC
120	19-1016	1 X 2 RECT. SERIES 400 DUAL LOC
121	02-4070	SHIELD SCREWS
122	14-2078	INSIDE MAIN SHIELD
	<i>E.L. CODE:</i>	2OPS, 2OP, 2SOP
	ST06	SEAT KIT 1
123	09-3063	7/16" WHITE HOLE PLUG
124	09-3080	1 X 3 HOLE PLUG
125	12-1001	SEAT POSITION INDICATOR ARROW
126	12-1009	SEAT DECAL 1 BOTTOM -10 TOP (5/8 WIDE)
127	03-5106	NUT HEX 10MM
128	06-8000	SEAT ADJUSTMENT HANDLE 7/8"
129	06-8006	SEAT ADJUSTMENT CABLE, 18"
130	07-5065	BEARING FAFNIR 203 PP
131	07-8027	PIN CLEVIS 5/16 X 1 3/16
132	07-8135	COTTER PIN #RUE-10 mfg. PIVOT POINT
133	07-9201	SHOCK LEVER P/N 783234
134	07-9205	HEAD THREAD ON CAST ALUM
135	07-9298	GAS SPRING COVER TUBE
136	07-9299	GAS SPRING COVER PLUG
137	09-1058	RUBBER HAND GRIP, 7/8 X 4 1/2
138	10-3045	RIGID IN COMPRESSION, 250 N #7613IL
139	10-4012	40 MM O.D. WAVE SPRING SSB-0158-S17
140	12-1109	SEAT SHOCK ADJ. TAG
141	12-1113	SHOCK WARNING DECAL
142	19-1235	NYLON SEAT ROLLERS
	<i>E.L. CODE:</i>	2WOPS, 2MOPS, 2WOP
	ST07	SEAT KIT 2
143	01-1121	3/8 X 2 HH5
144	03-1035	3/8 NTE
145	04-5213	3/8 LOC WASH
146	04-5135	3/8" BOLT CAP WASHER
147	04-5145	PLASTIC BOLT CAP
148	09-1172	1 X 6 GRIP
149	09-3080	1 X 3 HOLE PLUG
150	09-3094	1.25 OD X .75 ID X .75 L HOLE PLUG
151	12-1001	SEAT POSITION INDICATOR ARROW
152	12-1009	SEAT DECAL 1 BOTTOM -10 TOP (5/8 WIDE)
153	SE510	WOMEN'S FOOTREST ASSEMBLY
154	03-5106	NUT HEX 10MM

REF#	PART#	DESCRIPTION
155	06-8000	SEAT ADJUSTMENT HANDLE 7/8"
156	06-8006	SEAT ADJUSTMENT CABLE, 18"
157	07-5065	BEARING FAFNIR 203 PP
158	07-8027	PIN CLEVIS 5/16 X 1 3/16
159	07-8135	COTTER PIN #RUE-10 mfg. PIVOT POINT
160	07-9201	SHOCK LEVER P/N 783234
161	07-9205	HEAD THREAD ON CAST ALUM
162	07-9298	GAS SPRING COVER TUBE
163	07-9299	GAS SPRING COVER PLUG
164	09-1058	RUBBER HAND GRIP, 7/8 X 4 1/2
165	10-3045	RIGID IN COMPRESSION, 250 N #7613IL
166	10-4012	40 MM O.D. WAVE SPRING SSB-0158-S17
167	12-1109	SEAT SHOCK ADJ. TAG
168	12-1113	SHOCK WARNING DECAL
169	19-1235	NYLON SEAT ROLLERS
	<i>E.L. CODE:</i>	2OPS, 2WOPS, 2MOPS, 2OP, 2WOP, 2SOP
	UPH17	BELTED OVERHEAD PRESS UPHOLSTERY KIT
170	UP8015	SEAT PAD
171	02-9220	BOLT HH5 3/8 X 1 1/4 BLACK
172	04-5213	WASHER INT LOK 3/8 BLACK
173	UP8210	BACK PAD
174	UP720	SLIPCOVER
175	01-1551	BOLT HH5 3/8 X 3 1/4 BLACK
176	04-5135	3/8" BOLT CAP WASHER
177	04-5145	PLASTIC BOLT CAP
	<i>E.L. CODE:</i>	2OP, 2WOP, 2SOP
178	09-3063	PLUG HOLE 7/16 WHITE
179	09-3065	9/16" WHITE HOLE PLUG
180	09-3067	PLUG HOLE 1/4 WHITE
	<i>E.L. CODE:</i>	2OPS, 2WOPS, 2MOPS
181	14-2091	INSIDE MAIN SHIELD MADE FROM 14-2077