



LEG EXTENSION

OWNER'S MANUAL

REVISED: Sept. 2, 1998

SERIAL NO.'S

through

Contents

Parts Manual

- 1 SEAT FRAME / CROSSMEMBER ASSEMBLY
- 2 SEAT FRAME ASSEMBLY
- 3 WORKBOX / MOVEMENT ARM ASSEMBLY
- 4 BELT & PULLEY ASSEMBLY
- 5 WEIGHT STACK ASSEMBLY
- 6 WEIGHT STACK ASSEMBLY
- 7 PARTS LIST
- 8 PARTS LIST

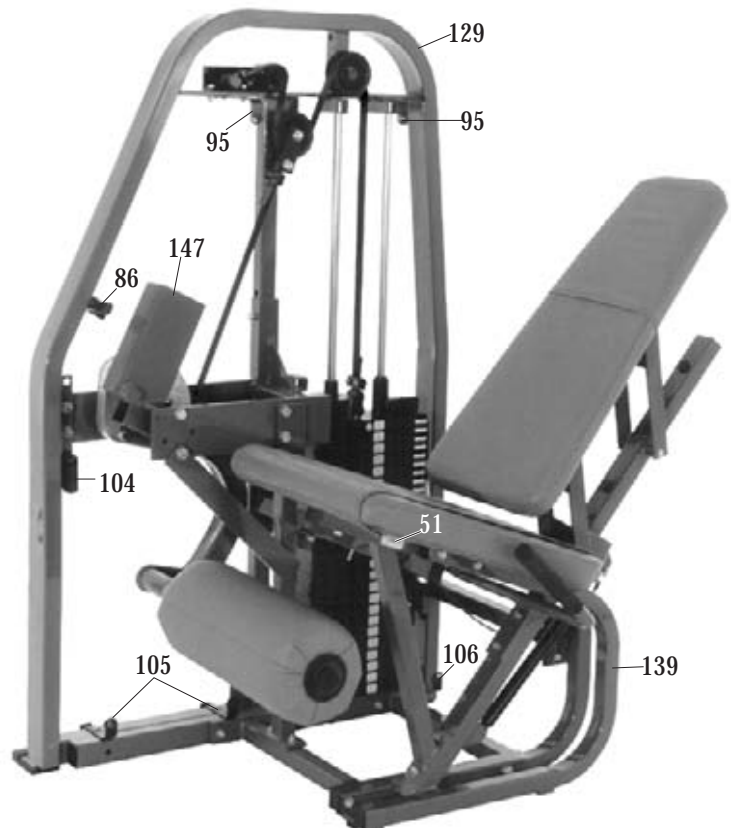
Maintenance Manual

Follows page 8

See last pages of this manual for 2ST Strength Circuit Exercise Order Diagram and 2ST Floor Plan Kit.



PARTS AND SERVICE
 709 Powerhouse Road
 Independence, Virginia 24348
 800-235-2233
 Fax: 540-773-2298



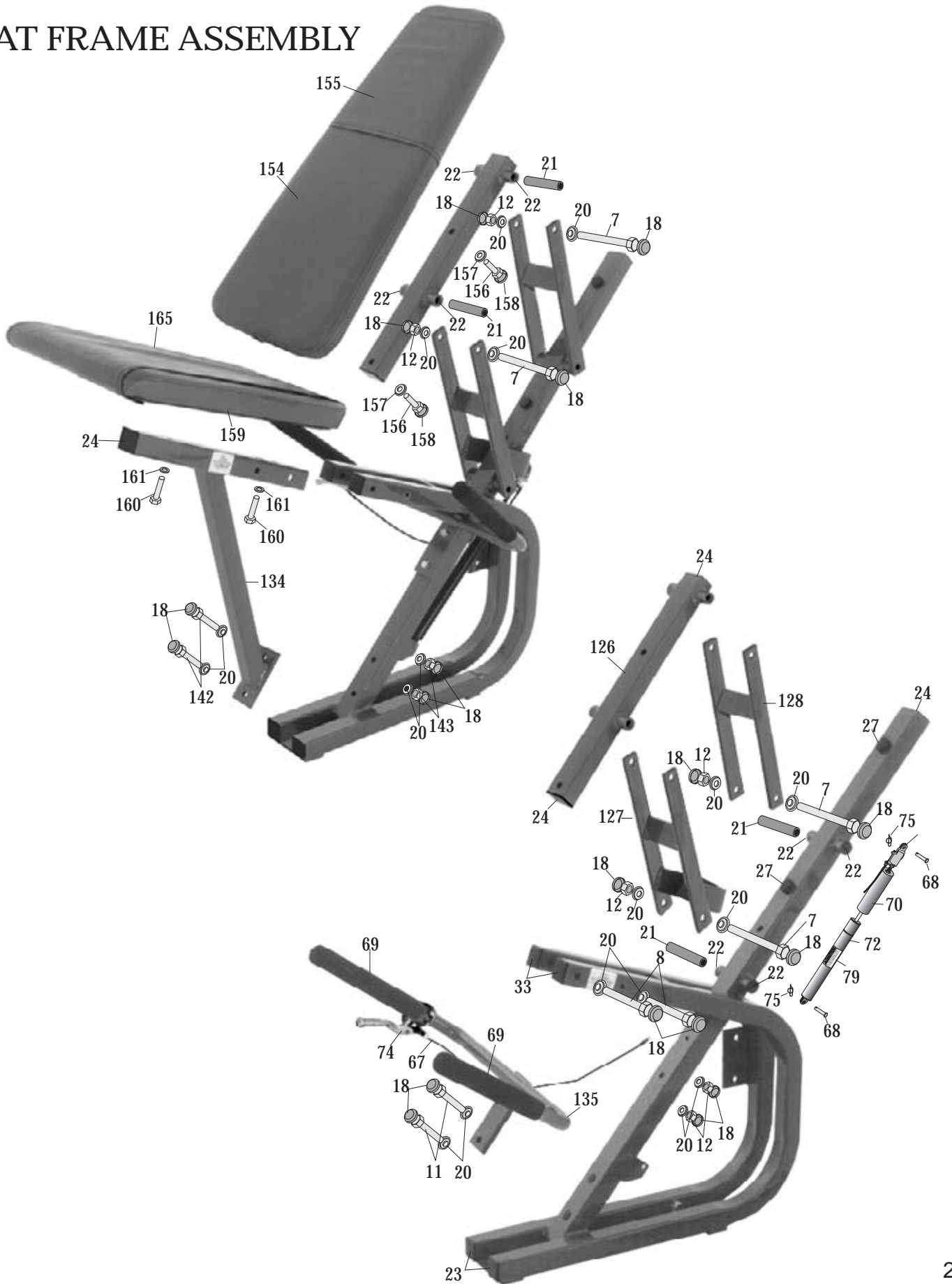
19-4922

SEAT FRAME / CROSSMEMBER ASSEMBLY

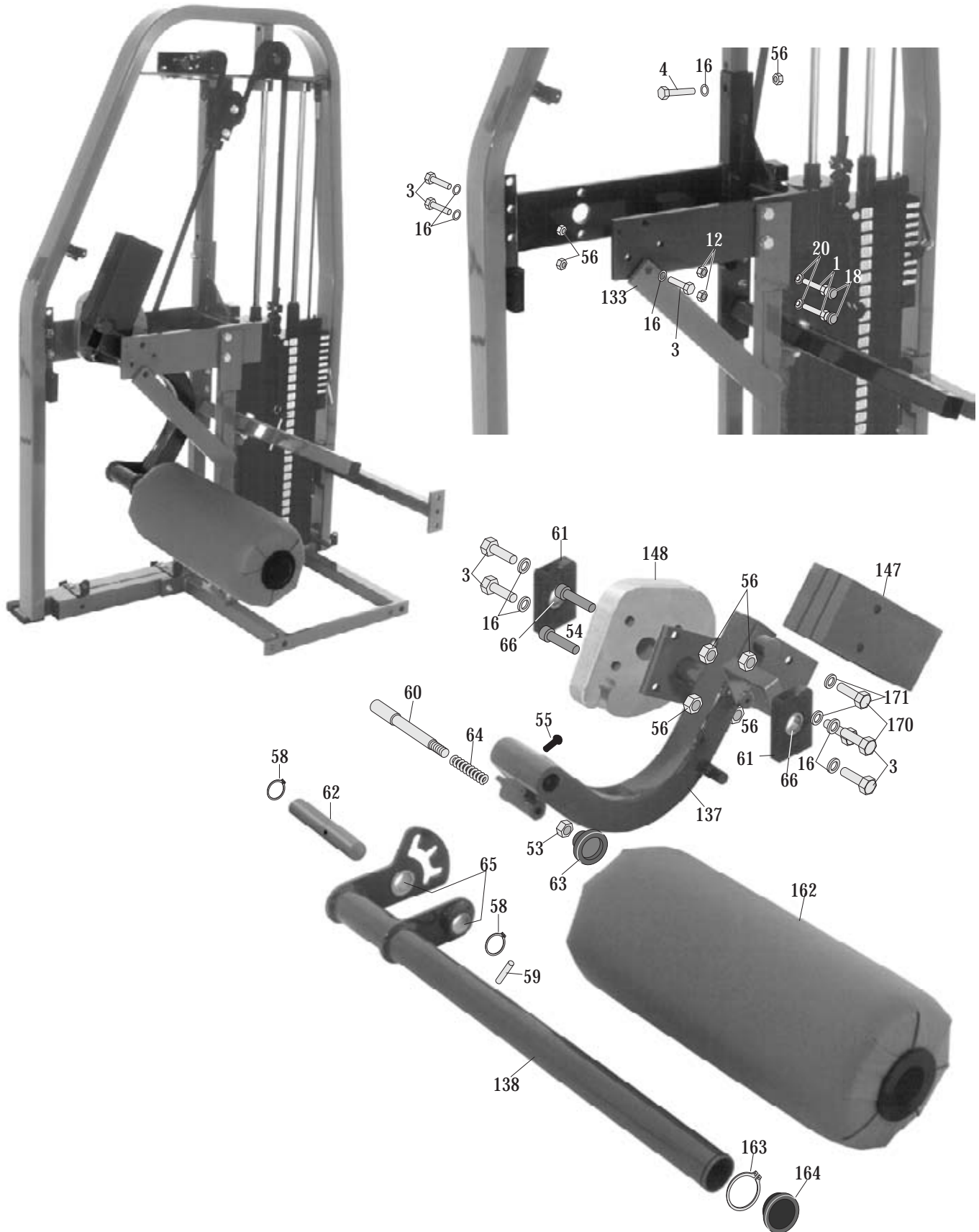


Nautilus® 2ST Leg Extension

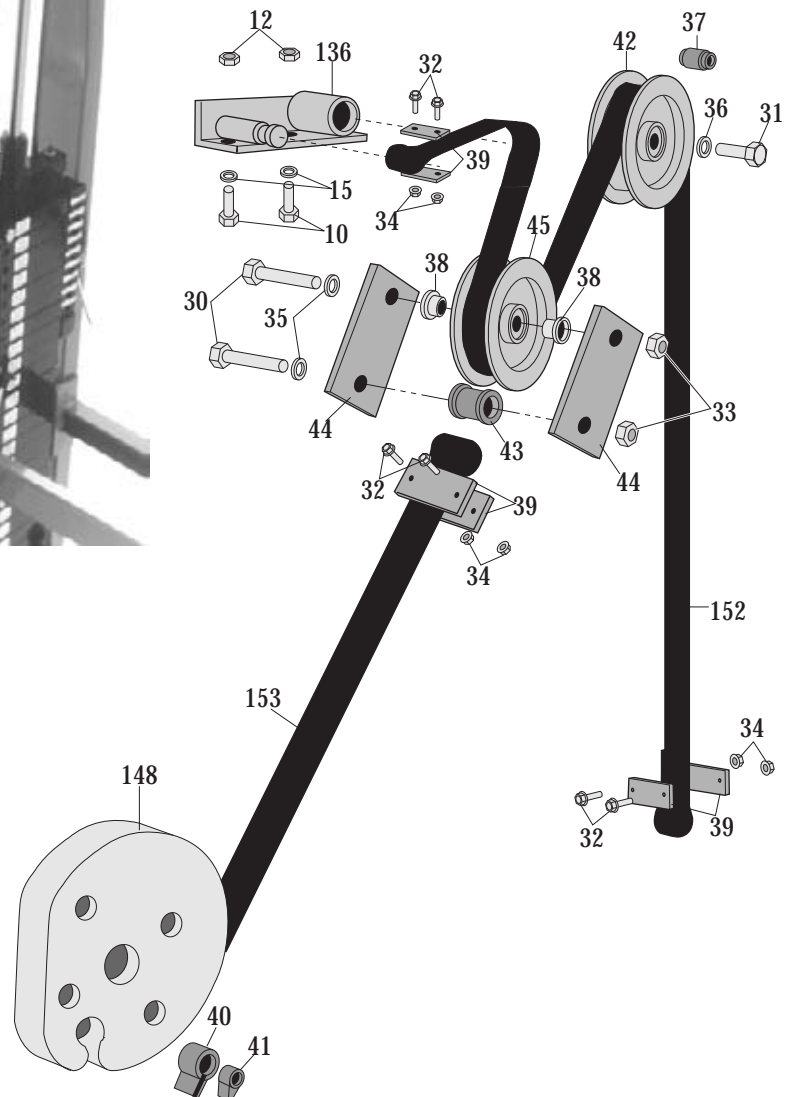
SEAT FRAME ASSEMBLY



WORKBOX / MOVEMENT ARM
ASSEMBLY



BELT & PULLEY ASSEMBLY



24 WEIGHT STACK



**USE CAUTION
WHEN WORKING
WITH WEIGHT
STACK !**

STANDARD

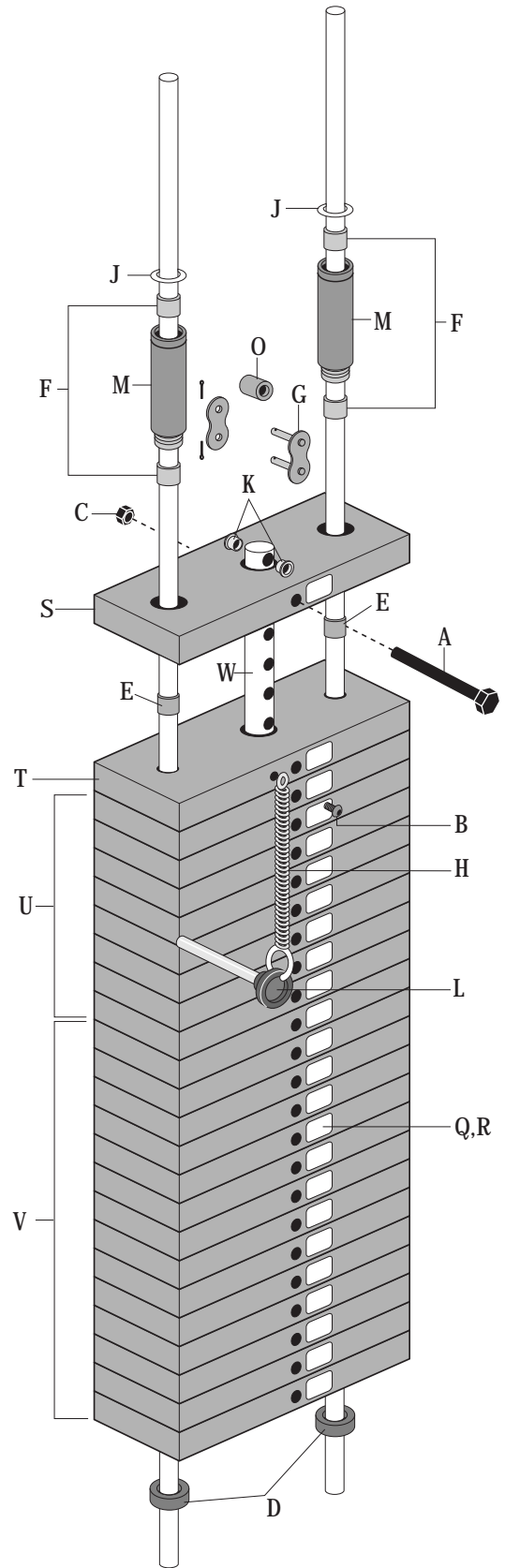
REF #	PART #	DESCRIPTION
A	01-0010	200 lb. WEIGHT STACK (20-200)
B	02-9190	BOLT HH2 7/16-14 X 4 1/2 BLACK
C	03-1045	1/4-20 X 3/4 FLANGE BUTTON HD. SCREW
D	04-5070	NUT NTE 7/16 BLACK
E	05-4020	RUBBER WEIGHT STACK WASHER
F	05-4055	BOTTOM WEIGHT BUSHING
G	06-2005	TOP WEIGHT BUSHING
H	06-2005	CHAIN LINK #100 CONNECTING LINK
I	06-7064	COIL SUPER 6"
J	06-8150	1 1/4 EXTERNAL SNAP RING
K	06-8254	SNAP RING 1"
L	07-4000	NYLINER PLASTIC BUSHING
M	07-8296	PIN WEIGHT SELECTOR W/MAGNET 4" LENGTH
N	07-9268	TOP WEIGHT SLEEVE
O	09-3066	HOLE PLUG 1 1/4 DIA WHITE
P	09-6135	BELT ROLLER
Q	12-1024	DECAL WARNING 3"
R	12-1052	WEIGHT STACK DECAL 20-250 lbs
S	12-1062	WEIGHT STACK DECAL 9.1 - 113.7 kg
T	17-2204	1 X 4 X 9.330 TOP WEIGHT STEEL, 10 lbs.
U	17-2206	1 X 4 X 9.330 SECOND WEIGHT STEEL, 10 lbs.
V	17-2203	1 X 4 X 9.330 BOTTOM WEIGHT STEEL, 10 lbs.
W	17-2203	1 X 4 X 9.330 BOTTOM WEIGHT STEEL, 10 lbs.
X	17-4115	WEIGHT STACK PIN 24 HOLE
Y	BSF509	WEIGHT STACK STAND 8"
Z	07-9269	3" WEIGHT STACK SPACER
	09-2060	1 1/2 X 3" HOLE PLUG

WOMEN'S/MEDICAL

REF #	PART #	DESCRIPTION
A	01-0010	130 lb. WEIGHT STACK (10-130)
B	02-9190	BOLT HH2 7/16-14 X 4 1/2 BLACK
C	03-1045	1/4 X 1/2 PAN HD TYPE "F" SCREW BLACK
D	04-5070	NUT NTE 7/16 BLACK
E	05-4020	RUBBER WEIGHT STACK WASHER
F	05-4055	BOTTOM WEIGHT BUSHING
G	05-4055	TOP WEIGHT BUSHING
H	06-2005	CHAIN LINK #100 CONNECTING LINK
I	06-7064	COIL SUPER 6"
J	06-8150	1 1/4 EXTERNAL SNAP RING
K	06-8254	SNAP RING 1"
L	07-4000	NYLINER PLASTIC BUSHING
M	07-8296	PIN WEIGHT SELECTOR W/MAGNET 4" LENGTH
N	07-9268	TOP WEIGHT SLEEVE
O	09-3066	HOLE PLUG 1 1/4 DIA WHITE
P	09-6135	BELT ROLLER
Q	12-1024	DECAL WARNING 3"
R	12-1056	WEIGHT STACK DECAL 10-180 lbs
S	12-1061	WEIGHT STACK DECAL 4.6 - 81 kg
T	17-2210	1 X 4 X 9.330 TOP WEIGHT ALUM., 3.5 lbs.
U	17-2212	1 X 4 X 9.330 SECOND WEIGHT ALUM., 3.5 lbs.
V	17-2211	1 X 4 X 9.330 BOTTOM WEIGHT ALUM., 3.5 lbs.
W	17-2203	1 X 4 X 9.330 BOTTOM WEIGHT STEEL, 10 lbs.
X	17-4115	WEIGHT STACK PIN 24 HOLE
Y	BSF509	WEIGHT STACK STAND 8"
Z	07-9269	3" WEIGHT STACK SPACER
	09-2060	1 1/2 X 3" HOLE PLUG

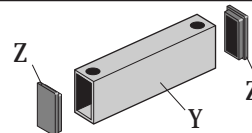
SUPER STACK

REF#	PART #	DESCRIPTION
A	01-0010	290 lb. WEIGHT STACK (20-290)
B	02-9190	BOLT HH2 7/16-14 X 4 1/2 BLACK
C	03-1045	1/4 X 1/2 PAN HD TYPE "F" SCREW BLACK
D	04-5070	NUT NTE 7/16 BLACK
E	05-4020	RUBBER WEIGHT STACK WASHER
F	05-4055	BOTTOM WEIGHT BUSHING
G	05-4055	TOP WEIGHT BUSHING
H	06-2005	CHAIN LINK #100 CONNECTING LINK
I	06-7064	COIL SUPER 6"
J	06-8150	1 1/4 EXTERNAL SNAP RING
K	06-8254	SNAP RING 1"
L	07-4000	NYLINER PLASTIC BUSHING
M	07-8297	PIN WEIGHT SELECTOR W/MAGNET 7" LENGTH
N	07-9268	TOP WEIGHT SLEEVE
O	09-3066	HOLE PLUG 1 1/4 DIA WHITE
P	09-6135	BELT ROLLER
Q	12-1028	DECAL WARNING 6"
R	12-1057	WEIGHT STACK DECAL 20-365 lbs
S	12-1064	WEIGHT STACK DECAL 9.1 - 165.9 kg
T	17-2204	1 X 4 X 9.330 TOP WEIGHT STEEL, 10 lbs.
U	17-2207	1 X 6 X 9.330 SECOND WEIGHT STEEL, 15 lbs.
V	17-2205	1 X 6 X 9.330 BOTTOM WEIGHT STEEL, 15 lbs.
W	17-2205	1 X 6 X 9.330 BOTTOM WEIGHT STEEL, 15 lbs.
X	17-4115	WEIGHT STACK PIN 24 HOLE
Y	BSF509	WEIGHT STACK STAND 8"
Z	07-9269	3" WEIGHT STACK SPACER
	09-2060	1 1/2 X 3" HOLE PLUG



**OPTION 1
NO STAND**

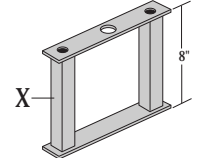
2LR, 2PF



OPTION 2

2AB, 2BP, 2CR, 2IP, 2LCP, 2LE,
2LB, 2OP, 2TP, 2LCS, 2VC, 210

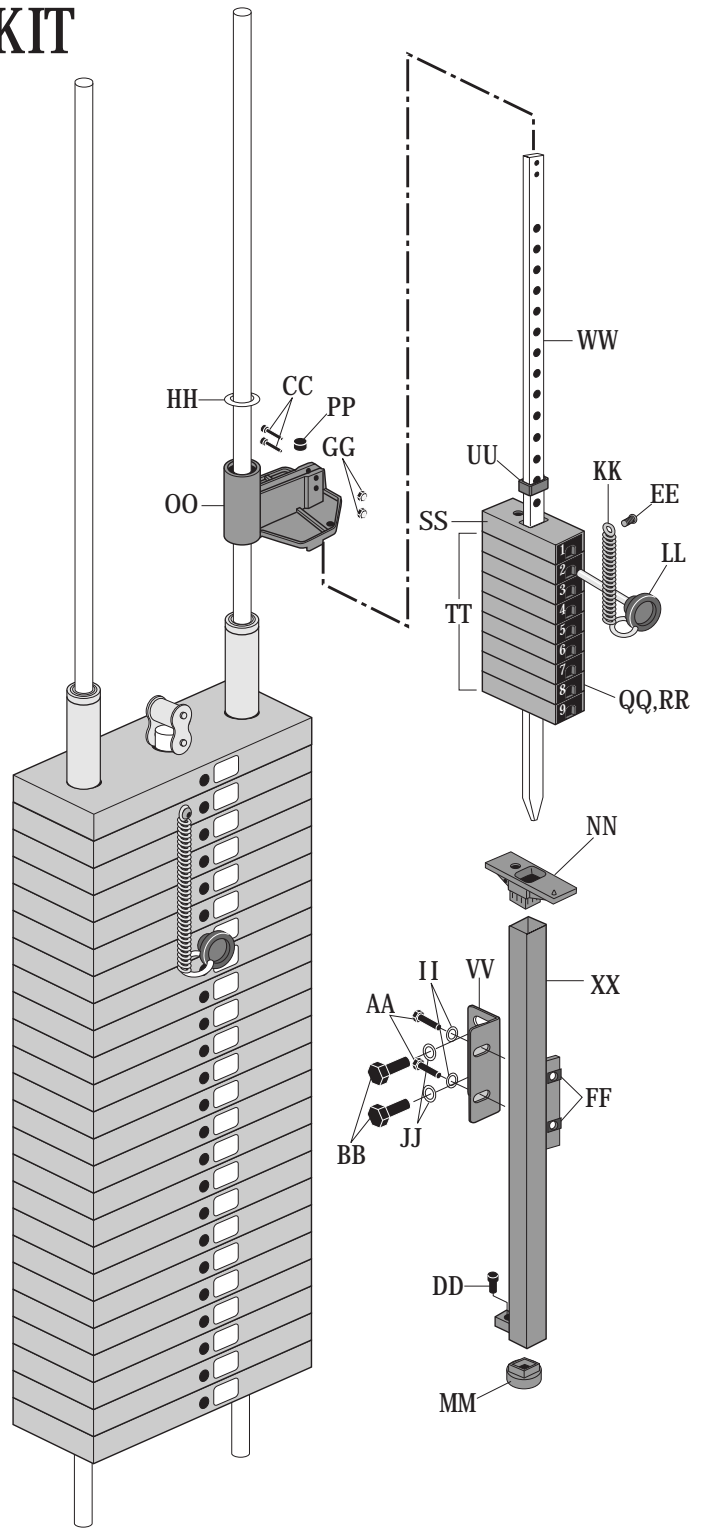
OPTION 3



2HAD, 2HAB, 2RT, 2SC

MINI 24 ADD-ON WEIGHT KIT

REF #	PART #	DESCRIPTION
AA	02-4108	3/8-16 X 3/4 ALLEN CAP SCREW
BB	01-1258	1/2 X 3/4 HEX BOLT BLACK
CC	01-4035	1/4 X 1-1/4 WIZ BOLT BLACK
DD	02-4110	3/8 X 1-1/4 ALLEN CAP SCREW
EE	02-4134	1/4 X 1/2 PAN HD TYPE "F" SCREW BLACK
FF	03-5111	3/8 CLIP NUT
GG	03-4290	1/4 WIZ NUT BLACK ZINC
HH	06-8150	1 1/4 EXT. SNAP RING
II	04-5206	3/8 SAE FLAT WASHER BLACK
JJ	04-5214	1/2 LOCK WASHERS BLACK
KK	06-7062	.450 OD 5" SUPER COIL
LL	07-8045	ADD ON WEIGHT SELECTOR PIN & KNOB
MM	07-9245	MOLDED WEIGHT STAND INSERT
NN	07-9250	MOLDED ADD-ON-WEIGHT BASE
OO	07-9255	MOLDED ADD-ON-WEIGHT LINK
PP	09-3072	HOLE PLUG 3/8" BLACK
QQ	12-1063	ADD ON WEIGHT DECAL KG
RR	12-1066	ADD ON WEIGHT DECAL LBS
SS	17-5998	CAST ADD-ON SECOND PLATE
TT	17-5999	CAST ONE POUND WEIGHT
UU	17-6015	RECTANGULAR WEIGHT BUSHING
VV	17-6020	ANGLE BRACKET



OPTION 1 - NO WEIGHT STAND:
 2LR, 2PF
 WW 07-9292 SHORT MINIWEIGHT STACK PIN
 XX BSF512 SHORT MINIWEIGHT STAND

OPTION 2 - 3" WEIGHT STAND:
 2AB, 2BP, 2CR, 2IP, 2LCP, 2LE, 2LB, 2OP, 2TP, 2LC
 WW 17-4137 STANDARD MINI WEIGHT STACK PIN
 XX BSF511 STANDARD MINI WEIGHT STAND

OPTION 3 - 8" WEIGHT STAND:
 2HAD, 2HAB, 2RT, 2SC
 WW 17-4137 STANDARD MINI WEIGHT STACK PIN
 XX BSF513 TALL MINI WEIGHT STAND



**USE CAUTION
 WHEN WORKING
 WITH WEIGHT
 STACK !**

**OPTION 1
 NO STAND**

2LR, 2PF

OPTION 2

2AB, 2BP, 2CR, 2IP, 2LCP,
 2LE, 2LB, 2OP, 2TP, 2LCS

OPTION 3

2HAD, 2HAB, 2RT, 2SC

2ST LEG EXTENSION

E.L. CODES:

2LES FULLY SHIELDED ABDOMINAL
 2WLES FULLY SHIELDED WOMENS' ABDOMINAL
 2MLES FULLY SHIELDED MEDICAL ABDOMINAL
 2LE PARTIAL SHIELDED ABDOMINAL
 2WLE PARTIAL SHIELDED WOMENS' ABDOMINAL
 2SLE PARTIAL SHIELDED SUPER ABDOMINAL

REF# PART# DESCRIPTION

E.L. CODE: 2LES,2WLES, 2MLES, 2LE, 2WLE, 2SLE

FR03 FRAME LE/LC KIT
 1.....01-1115.....BOLT HH5 3/8 X 2 1/2
 2.....01-1261.....BOLT HH5 1/2 X 1 BLACK
 3.....01-1271.....BOLT HH5 1/2 X 1 1/4
 4.....01-1321.....BOLT HH5 1/2 X 2 1/2 BLACK
 5.....01-1362.....BOLT HH5 1/2 X 3 1/2
 6.....01-1402.....BOLT HH5 1/2 X 2 1/4
 7.....01-1554.....BOLT HH5 3/8 X 5
 8.....01-1555.....BOLT HH5 3/8 X 5 1/4
 9.....02-9074.....BOLT HH5 3/8 X 4 1/4
 10.....02-9210.....BOLT HH5 3/8 X 1
 11.....02-9250.....BOLT HH5 3/8 X 2 1/4
 12.....03-1035.....NUT 3/8 NTE
 13.....03-1055.....NUT 1/2 NTE
 14.....03-1055.....NUT 1/2 NTE
 15.....04-5213.....3/8 LOC WASHER
 16.....04-5214.....1/2 LOC WASHER
 17.....04-5214.....1/2 LOC WASHER
 18.....04-5145.....PLASTIC BOLT CAP
 19.....04-5130.....1/2 BOLT CAP WASHER
 20.....04-5135.....3/8 BOLT CAP WASHER
 21.....07-8263.....5/8 DIA SLEEVE
 22.....08-7040.....5/8 ID X 1 OD X 1 LONG NYLON BUSHING
 23.....09-2020.....PLUG HOLE 1 1/2 SQ. BLACK
 24.....09-2040.....PLUG HOLE 1 1/2 X 2 BLACK
 25.....09-3063.....PLUG HOLE 7/16 DIA WHITE
 26.....09-3064.....PLUG HOLE 1/2 DIA
 27.....09-4080.....1" ROUND X 1/4 THICK BUMPER
 28.....09-5030.....ROUND RUBBER FOOTPAD
 29.....09-5035.....RECTANGLE FOOTPAD

E.L. CODE: 2LES,2WLES, 2MLES, 2LE, 2WLE, 2SLE

BLT02 BELT & PULLEY KIT 2
 30.....01-1321.....BOLT HH5 1/2 X 2 1/2
 31.....01-2180.....BOLT HH5 5/8 X 1 1/2 BLACK
 32.....01-4030.....1/4 X 1 WHIZ FLANGE SM PATTERN BLACK
 33.....03-1055.....1/2 NTE
 34.....03-4290.....1/4-20 WHIZ FLANGE L/N SM PATTERN BLACK
 35.....04-5214.....1/2 LOK WASHER
 36.....04-5215.....5/8 LOK WASHER BLACK
 37.....06-5045.....ANTI-JUMP ROLLER
 38.....07-8363.....IDLER PULLEY SPACER
 39.....07-8982.....END STRAP CLAMP
 40.....08-7063.....TEARDROP (FOR CAM)
 41.....08-7064.....TEARDROP INSERT
 42.....09-8327.....PULLEY 3"
 43.....07-8366.....BELT ANCHOR TUBE
 44.....07-9079.....IDLER PLATES
 45.....09-8327.....PULLEY 3"

E.L. CODE: 2LES,2WLES, 2MLES, 2LE, 2WLE, 2SLE

GR01 GUIDE ROD KIT 1
 46.....07-9269.....3" WEIGHTSTACK SPACER
 47.....09-2060.....FRAME PLUG 1 1/2 X 3 11 GA
 48.....17-1375.....GUIDE RODS 51 15/16 LONG

REF# PART# DESCRIPTION

E.L. CODE: 2LES,2WLES, 2MLES, 2LE, 2WLE, 2SLE

IN01 INSPECTION KIT
 49.....12-1080.....INSPECTION STICKER DECAL
 50.....12-1088.....DECAL NAUTILUS NAMEPLATE 2 1/2 x 9 1/4 long
 51.....19-1291.....DECAL SERIAL # BAR CODE
 52.....40-7167.....BAG 50 X 46 X 86 X .002 THICK

E.L. CODE: 2WLES, 2WLE,

IN03 INSPECTION KIT
 52A.....12-1175.....NAUTILUS WOMEN'S NAMEPLATE 2 1/2 x 9 1/4

E.L. CODE: 2LES,2WLES, 2MLES, 2LE, 2WLE, 2SLE

MV01 MOVEMENT ARM KIT
 53.....03-4142.....NUT JAM 5/16 BLACK
 54.....02-4119.....1/2 X 1 3/4 AC
 55.....02-4148.....3/8 X 1 1/4 BUTTON HEAD ALLEN
 56.....03-1055.....NUT 1/2 NTE
 57.....04-5214.....1/2 LOC WASHER
 58.....06-8235.....1" EXT SNAP RING TRU-ARC HEAVY 5160-98
 59.....07-7010.....1/4 X 1 ROLL PIN BLACK
 60.....07-8280.....SELECTOR PIN
 61.....07-8402.....TAPPED BEARING MOUNT
 62.....07-9126.....SHAFT 1" OD X 5.984 L. BLACK ZINC
 63.....09-8275.....NAUTILUS KNOB
 64.....10-2020.....COMP. SPRING
 65.....45-1062.....IGUS 1" ID X 3/4 L BUSHING (LFI 1618-12)
 66.....45-1063.....205 PP BEARING

E.L. CODE: 2LES,2WLES, 2MLES, 2LE, 2WLE, 2SLE

SK04 SHOCK ADJUSTMENT KIT 4
 67.....06-8006.....SEAT ADJUSTMENT CABLE, 18"
 68.....07-8027.....PIN CLEVIS 5/16 X 1 3/16
 69.....09-1050.....RUBBER HAND GRIP, 7/8 X 8 1/2
 70.....07-9298.....GAS SPRING COVER TUBE
 71.....07-9299.....GAS SPRING COVER PLUG
 72.....10-3043.....SPRING GAS 400 NEWTON (732184) L.16.54
 73.....03-5106.....NUT HEX 10MM
 74.....06-8000.....SEAT ADJUSTMENT HANDLE 7/8"
 75.....07-8135.....COTTER PIN #RUE-10 mfg. PIVOT POINT
 76.....07-9201.....SHOCK LEVER P/N 783234
 77.....07-9205.....HEAD THREAD ON CAST ALUM
 78.....12-1109.....SEAT SHOCK ADJ. TAG
 79.....12-1113.....SHOCK WARNING DECAL

E.L. CODE: 2LES,2WLES, 2MLES, 2LE, 2WLE, 2SLE

ST04 SEAT BELT KIT 1
 80.....19-1611.....BELT SEAT MODIFIED 19-1605 & 19-1606
 81.....01-1548.....BOLT WIZ 3/8-16 X 3/4, BLACK
 82.....03-1035.....NUT NTE 3/8 BLACK

E.L. CODE: 2LE, 2WLE, 2SLE

SH02 OUTER PARTIAL SHIELD BF501 KIT
 83.....02-4070.....SCREW SHIELD 1/4 X 3/4
 84.....02-4074.....SCREW TRUSS 1/4 X 1/2
 85.....03-4060.....1/4-20 CLIP NUT
 86.....07-9137.....FRONT FRAME WORKBOX BRACKET
 87.....07-9138.....UPPER MAIN FRAME SHIELD BRACKET
 88.....19-1015.....2" SQ SERIES 170 DUAL LOC
 89.....19-1016.....1 X 2 RECT. SERIES 400 DUAL LOC
 90.....14-2074.....SHIELD 2ST OUTER BF501

E.L. CODE: 2LES,2WLES

SH03 OUTER SHIELD BF501 KIT
 91.....02-4070.....SCREW SHIELD 1/4 X 3/4
 92.....02-4074.....SCREW TRUSS 1/4 X 1/2
 93.....03-4060.....1/4-20 CLIP NUT
 94.....07-9137.....FRONT FRAME WORKBOX BRACKET

REF#	PART#	DESCRIPTION
95	07-9138	UPPER MAIN FRAME SHIELD BRACKET
96	19-1015	2" SQ SERIES 170 DUAL LOC
97	19-1016	1 X 2 RECT. SERIES 400 DUAL LOC
98	14-2011	SHIELD OUTER BF501
	<i>E.L. CODE:</i>	<i>2LES,2WLES, 2MLES</i>
	SH13	INNER SHIELD KIT 4
99	01-1540	BOLT HH5 5/16 X 1
100	02-4134	1/4 X 1/2 PAN HD. TYPE "F" CUTTING SCREW
101	03-4040	1/4-20 X 5/8 REV NUT (BRASS)
102	03-4060	1/4-20 CLIP NUT
103	03-4066	CLIP-NUT 5/16-18
104	07-8307	SHIELD MOUNT 1" SQ TUBE X 2 7/8
105	07-9135	BRACKET SMALL LOWER BASE SHIELD
106	07-9136	BRACKET LARGE LOWER BASE SHIELD
107	12-1120	RED PINE TREE CLIP
108	02-4070	SCREW SHIELD 1/4 X 3/4
109	14-2036	SHIELD LOWER INSIDE
110	14-2044	SHIELD INNER MAIN
	<i>E.L. CODE:</i>	<i>2LE, 2WLE, 2SLE</i>
	SH19	INNER PARTIAL SHIELD BF501 HARDWARE KIT
111	03-4060	1/4-20 CLIP NUT
112	07-9274	16GA SHEET METAL 2ST SHIELD SHROUD
113	12-1120	RED PINE TREE CLIP
114	19-1015	2" SQ SERIES 170 DUAL LOC
115	19-1016	1 X 2 RECT. SERIES 400 DUAL LOC
116	02-4070	SHIELD SCREWS
	<i>E.L. CODE:</i>	<i>2MLES</i>
	SH58	SHIELD KIT OUTER R.L. FULLY SHIELDED
117	02-4070	SCREW SHIELD 1/4 X 3/4
118	02-4074	SCREW TRUSS 1/4 X 1/2
119	03-4060	1/4-20 CLIP NUT
120	07-9137	FRONT FRAME WORKBOX BRACKET
121	07-8835	DEEP UPPER SHIELD BRACKET
122	19-1015	2" SQ SERIES 170 DUAL LOC
123	19-1016	1 X 2 RECT. SERIES 400 DUAL LOC
124	14-2009	DEEP BF501 OUTER SHIELD
	<i>E.L. CODE:</i>	<i>2LES,2WLES, 2MLES, 2LE, 2WLE, 2SLE</i>
	WL12	WELDMENT KIT LEG EXTENSION
126	AB500	ADJUSTABLE SEAT BACK ASSEMBLY
127	AB501	ADJUSTABLE SEAT BACK ASSEMBLY
128	AB502	ADJUSTABLE SEAT BACK ASSEMBLY
129	BF501	BACK FRAME ASSEMBLY
130	CM503	CROSSMEMBER ASSEMBLY
131	CM504	CROSSMEMBER ASSEMBLY
132	CM505	CROSSMEMBER ASSEMBLY
133	CM506	CROSSMEMBER ASSEMBLY
134	CM7	CROSSMEMBER ASSEMBLY
135	HB502	HANDLE BAR ASSEMBLY
136	LK500	LINKAGE ASSEMBLY
137	MA503	MOVEMENT ARM ASSEMBLY
138	MA516	MOVEMENT ARM ASSEMBLY
139	SF501	SEAT FRAME ASSEMBLY
140	WB515	WORKBOX ASSEMBLY
	<i>E.L. CODE:</i>	<i>2LES,2WLES, 2MLES, 2LE, 2WLE, 2SLE</i>
	PR04	PARTS KIT LEG EXTENSION
141	01-1282	BOLT HH5 1/2 X 1 1/2
142	02-9250	BOLT HH5 3/8 X 2 1/4 BLACK
143	03-1035	NUT 3/8 NTE BLACK
144	03-1055	NUT 1/2 NTE
145	04-5213	WASHER 3/8 LOC BLACK
146	04-5214	WASHER 1/2 LOC
147	07-5829	COUNTER WEIGHT

REF#	PART#	DESCRIPTION
148	11-3320	BLE CAM
149	12-1026	KEEP HANDS AWAY (YELLOW)
150	12-2772	INSTRUCTION PLACARD LEG EXTENSION
151	19-4922	PARTS DIAGRAM LEG EXTENSION
152	24-6030	KEVLAR BELT 64"LONG (TO WT STACK)
153	24-6030	KEVLAR BELT 38"LONG (TO CAM)
	<i>E.L. CODE:</i>	<i>2LES,2WLES, 2MLES, 2LE, 2WLE, 2SLE</i>
	UPH05	BELTED LEG EXTENSION UPHOLSTERY KIT
154	UP8430	SEAT BACK PAD
155	UP720	SLIPCOVER
156	01-1115	BOLT HH5 3/8 X 2 1/2 BLACK
157	04-5135	3/8" BOLT CAP WASHER
158	04-5145	PLASTIC BOLT CAP
159	UP8440	LEG EXTENSION SEAT BOTTOM PAD
160	01-1185	BOLT HH5 3/8 X 3 1/2 BLACK
161	04-5213	WASHER INT LOK 3/8 BLACK
162	UP9824	ROLLER PAD
163	06-8285	1 3/4 INV. EXT. SNAP RING 5108-177 BLACK
164	09-3086	PLUG HOLE 1.75 OD X 1.50 ID X .75 L
165	UP8442	SEAT PAD SLIPCOVER
	<i>E.L. CODE:</i>	<i>2LE, 2WLE, 2SLE</i>
166	09-3063	7/16 DIA WHITE HOLE PLUG
167	09-3065	9/16 DIA WHITE HOLE PLUG
168	09-3067	1/4 DIA WHITE HOLE PLUG
169	14-2064	SHIELD INNER LEG EXTENSION PARTIAL
	<i>E.L. CODE:</i>	<i>2LES,2WLES, 2MLES, 2LE, 2WLE, 2SLE</i>
	PR04	PARTS KIT LEG EXTENSION
170	01-1362	BOLT HH5 1/2 X 3 1/2
171	04-5214	WASHER INT. LOC 1/2
172	03-1055	NUT NTE 1/2
	RL2LE	LEG EXTENSION RL KIT
173	12-1082	DECAL - CLEAR WITH ANGLE TEXT
174	12-1084	DECAL - WHITE WITH RED LINE
175	12-2800	2MLES - RL INSTRUCTION PLACARD
176	14-1654	LEG EXT. RL INNERMAIN SHIELD
177	24-6030	KEVLAR BELT 86" (TO WT. STACK)