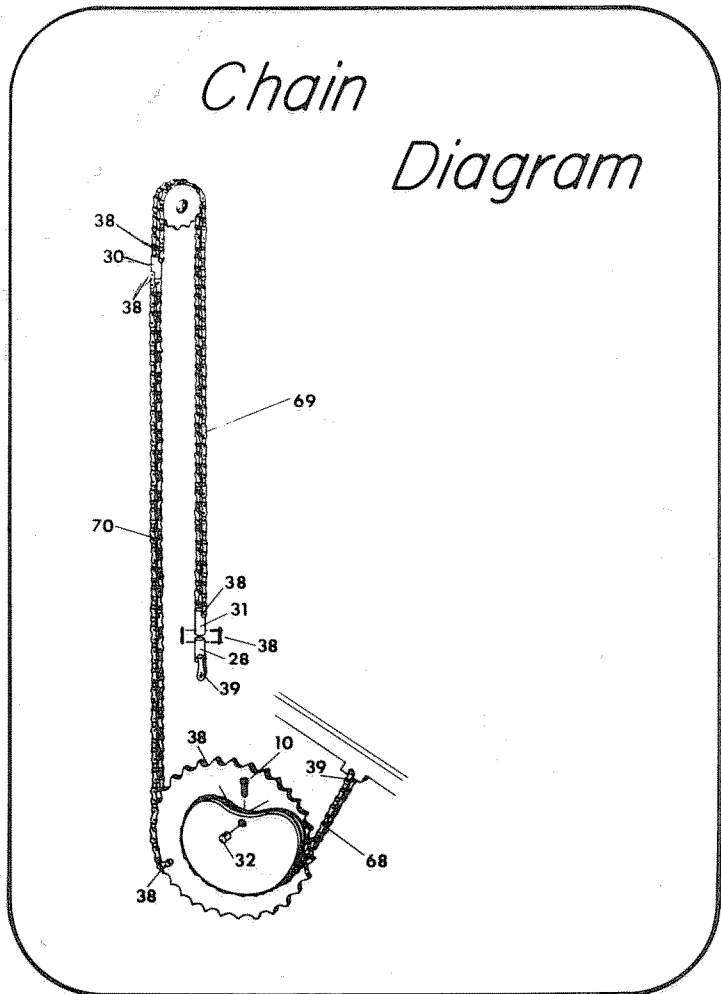
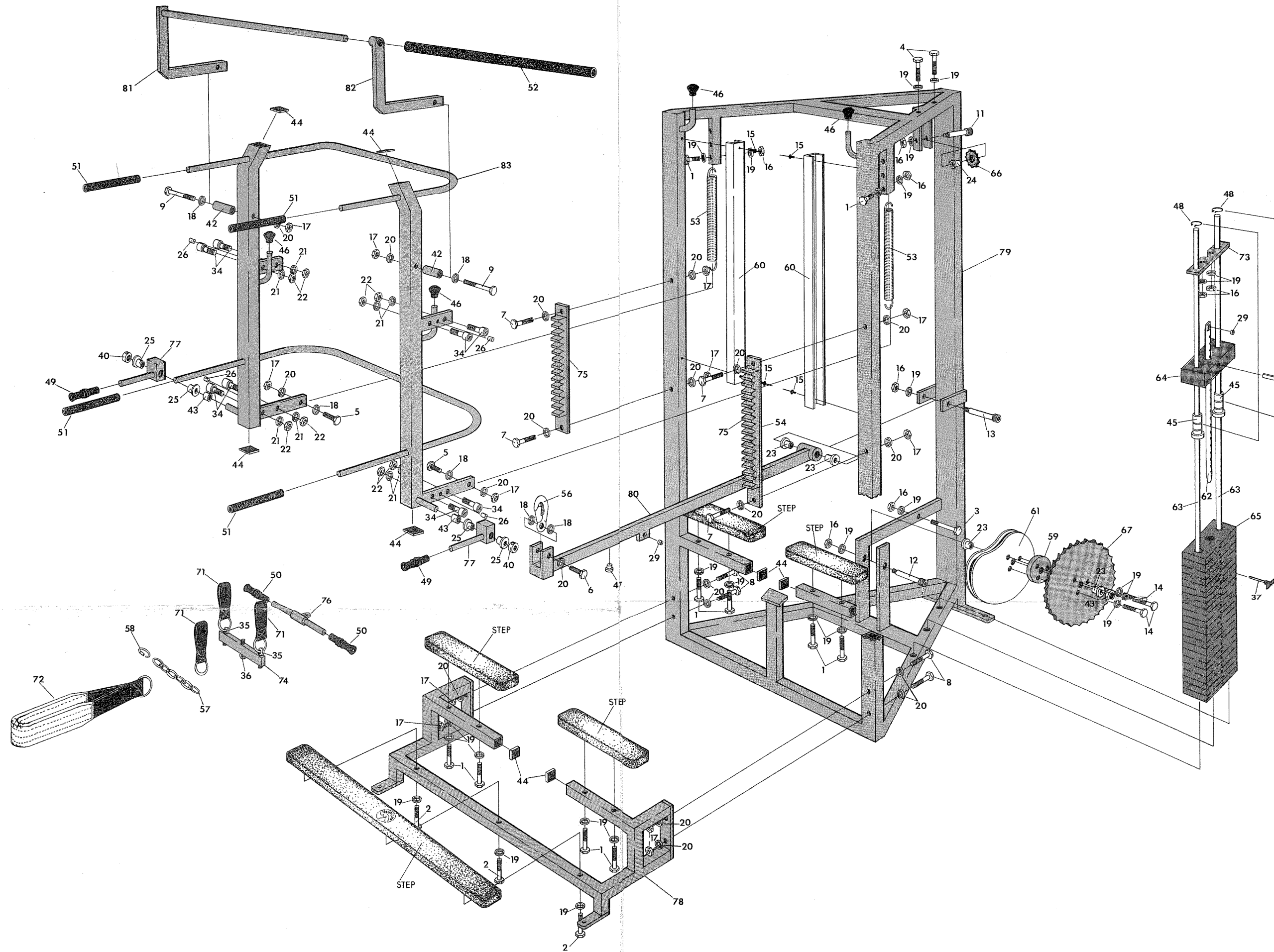


# MULTI-EXERCISE

by **Nautilus**



1	3/8x2	HEX HEAD BOLT
2	3/8x2 1/4	"
3	3/8x2 1/2	"
4	3/8x3	"
5	1/2x1 1/4	"
6	1/2x1 3/4	"
7	1/2x2 1/2	"
8	1/2x2 3/4	"
9	1/2x4 1/2	"
10	1/4x1 1/4 ALLEN CAP SCREW	
11	1/2x1 1/4 SHOULDER BOLT	
12	1/2x3	"
13	1/2x3 3/4	"
14	3/8x1 1/2 GR.8 HEX HD. BOLT	
15	BLIND RIVET	
16	3/8 THIN LOK NUT	
17	1/2	"
18	1/2 FLAT WASHER	
19	3/8 LOK	"
20	1/2	"
21	7/16 INTERNAL LOK WASHER	
22	7/16 THIN LOK NUT	
23	1/2x3/4x3/4 BRASS BUSHING	
24	1/2x3/4x1	"
25	3/4x1x1/2	"
26	BU-2	
27	CBR-1	
28	CBR-2	
29	CBR-12	
30	CBR-13A	
31	CBR-13B	
32	1/4 CAM NUT	
33	3/8-3 ROLL PIN	
34	#5 BEARING	
35	5/16x2 1/4 EYE BOLT	
36	3/8x2 1/2	"
37	#10 SELECTOR PIN	
38	#40 MASTER LINK	
39	#2040	"
40	3/4 LOCK COLLAR	
41	1/2x3/8 SPACER	
42	1/2x1 1/2	"
43	3/4x5/8	"
44	1 1/4x1 1/4 HOLE PLUG	
45	3/4 LINEAR BEARING	

46	7/8 BUMPER STOP #19	
47	R8#1 FLAT RUBBER STOP	
48	W-125 SNAP RING	
49	7/8 HAND GRIP	
50	1"	"
51	1x1/8x8 3/4 HAND GRIP	
52	3/4x1/8-28	"
53	#4 SPRING	
54	NUMBER STRIP	
55	5/16 SPLIT LINK	
56	#3026 SNAP	
57	5/16 LONG LINK CHAIN	
58	5/16 QUICK	"
59	SR-3 SPACER	
60	MINIMUM CHANNEL	
61	OME	
62	24 HOLE	"
63	8" S.S. GLASS ROD	
64	20lb. TOP	"
65	10lb. BOTTOM	"
66	30 TC-1 SPROCKET	
67	96 TA-1	
68	29" SINGLE CHAIN	
69	44 1/2"	"
70	57"	"
71	#9 WRIST BELT	
72	#10 WAIST	"
73	GUIDE ROD PLATE	
74	SHRUG BAR	
75	GEAR RACK	
76	WRIST CURL BAR	
77	ADJUSTMENT PAWL	
78	STEP FRAME	
79	MAIN	"
80	MOVEMENT ARM	
81	CHIN BAR	
82	"	"
83	CHIN AND DIP FRAME	