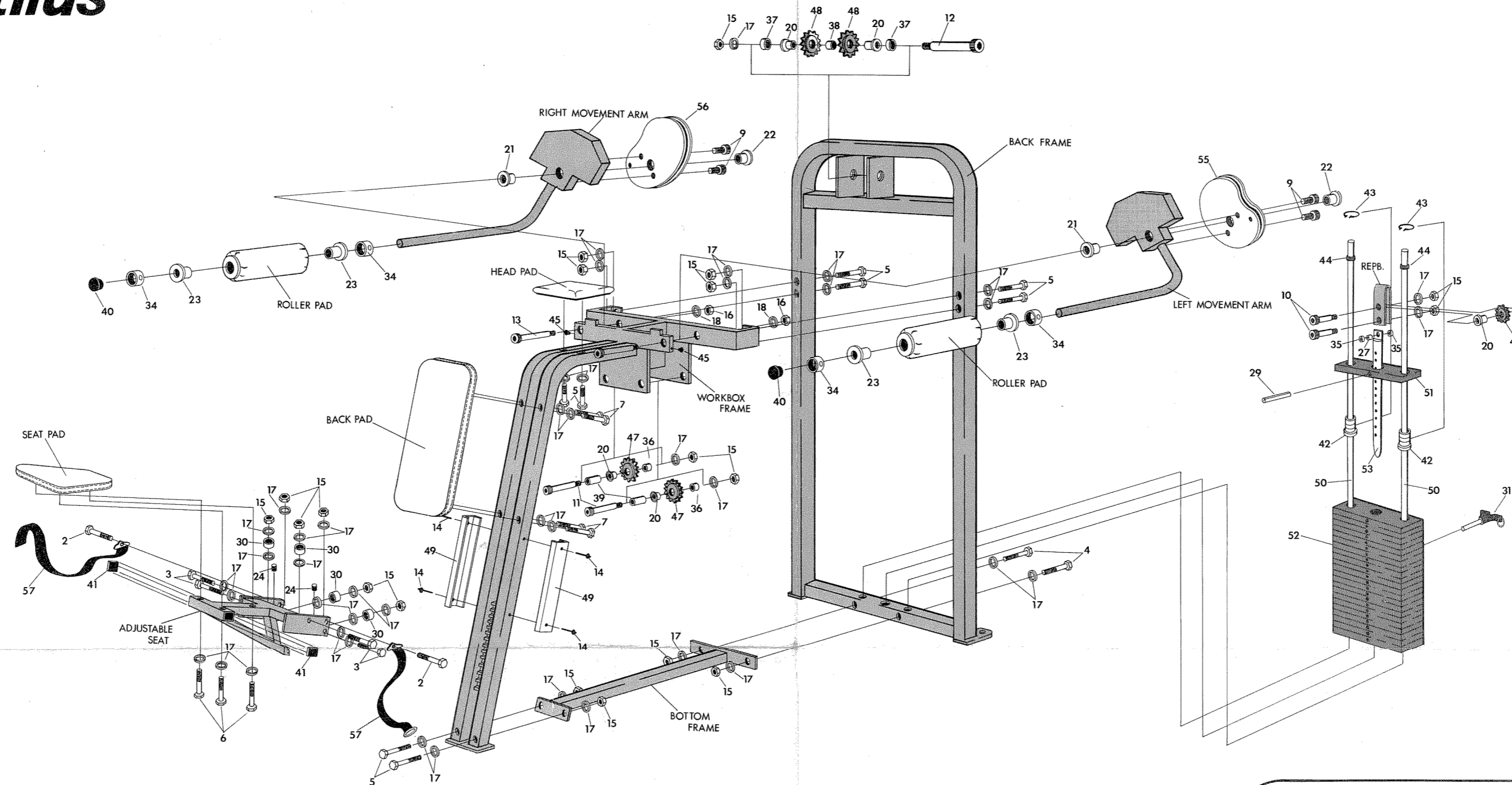


70° SHOULDER

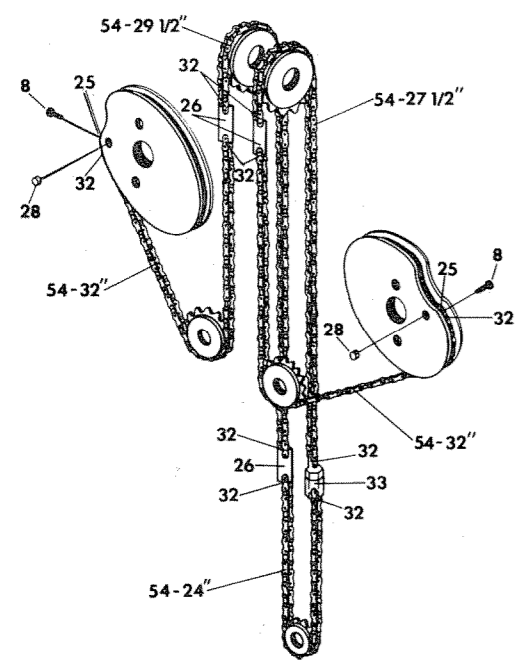
by **Nautilus**



1	1/4x1/2 STOVE BOLT
2	3/8x1 HEX HEAD BOLT
3	3/8x1 1/4 " " "
4	3/8x2 1/4 " " "
5	3/8x2 3/4 " " "
6	3/8x3 " " "
7	3/8x3 1/2 " " "
8	1/4x1 1/4 ALLEN CAP SCREW
9	1/2x1 " " "
10	1/2x1 1/4 SHOULDER BOLT
11	1/2x4 1/2 " " "
12	1/2x4 3/4 " " "
13	3/4x4 1/2 " " "
14	BLIND RIVETS
15	3/8 ELASTIC LOK NUT
16	5/8 " " "
17	3/8 INTERNAL LOK WASHER
18	5/8 INTERNAL LOK WASHER
19	1/8x1/2 SELF TAPPING SCREW
20	1/2x3/4x1 BRASS BUSHING
21	3/4x1x1 " " "
22	3/4x1x1 1/2 " " "
23	1 1/4x1 1/2x1 1/4 " " "
24	3/8x1 1/32 BU-2
25	CBR-1
26	CBR-2
27	CBR-12
28	1/4 CAM NUT
29	3/8x3 ROLL PIN
30	#4 THICK BEARING
31	#10 SELECTOR PIN
32	#40 SINGLE MASTER LINK

33	CHAIN ADJUSTER
34	1 1/4 LOK COLLAR
35	1/2x1/4 PIPE SPACER
36	1/2x3/8 " " "
37	1/2x1/2 " " "
38	1/2x1/8 " " "
39	1/2x2 3/8 " " "
40	7/8 HOLE PLUG
41	1 1/4x1 1/4 FRAME PLUG
42	3/4 LINEAR BEARING
43	W-125 SNAP RING
44	10lb. TOP WEIGHT SPACER
45	1/2 FLAT RUBBER STOP
46	14TC-2 SPROCKET
47	19TC-2 " "
48	30TC-1 " "
49	3/4x2 1/4x16 ALUM. CHANNEL
50	56 5/8 GUIDE ROD
51	10lb. TOP WEIGHT
52	10lb. BOTTOM " "
53	24 HOLE WEIGHT STACK PIN
54	#40 SINGLE CHAIN
55	LEFT CAM
56	RIGHT " "
57	SEAT BELT - MEDIUM
58	TOP SHIELD
59	BACK " "
60	FRONT " "

Chain Diagram



Shield Diagram

