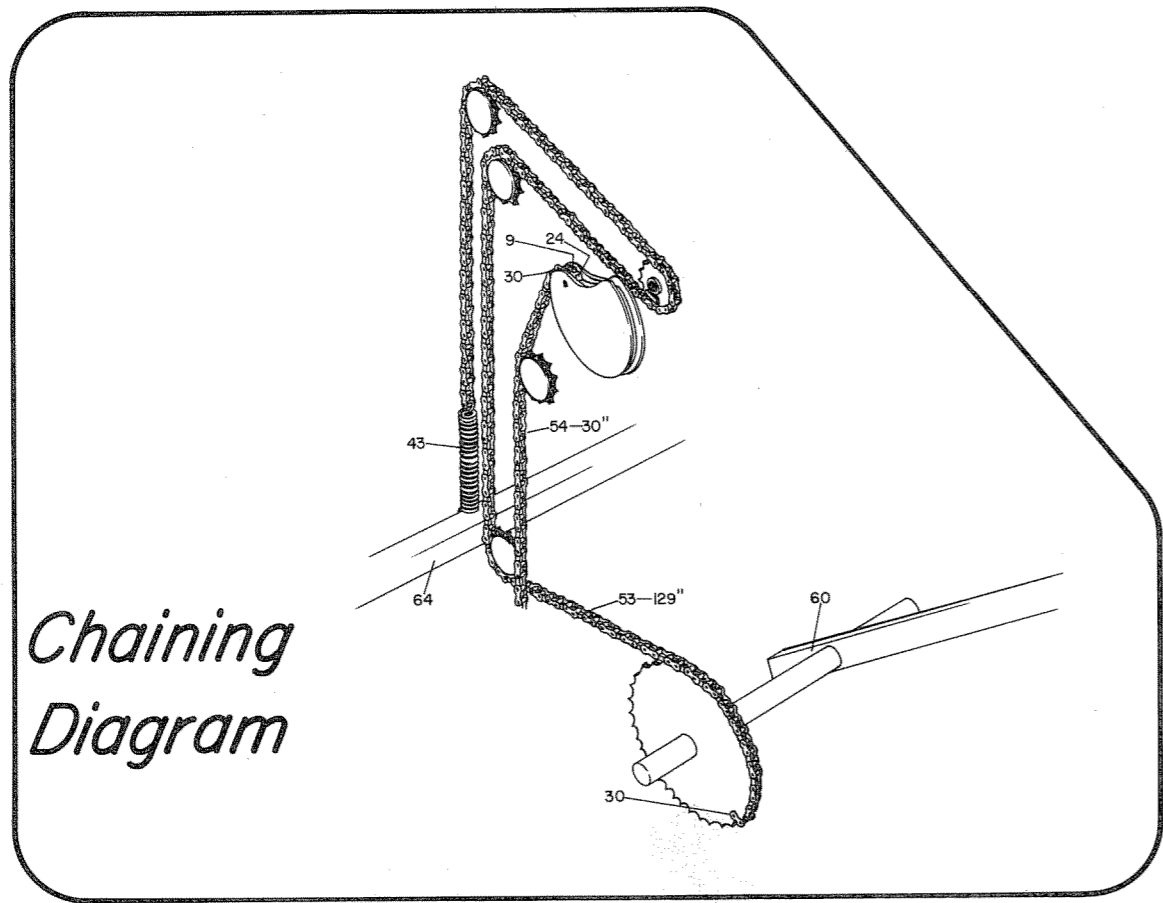
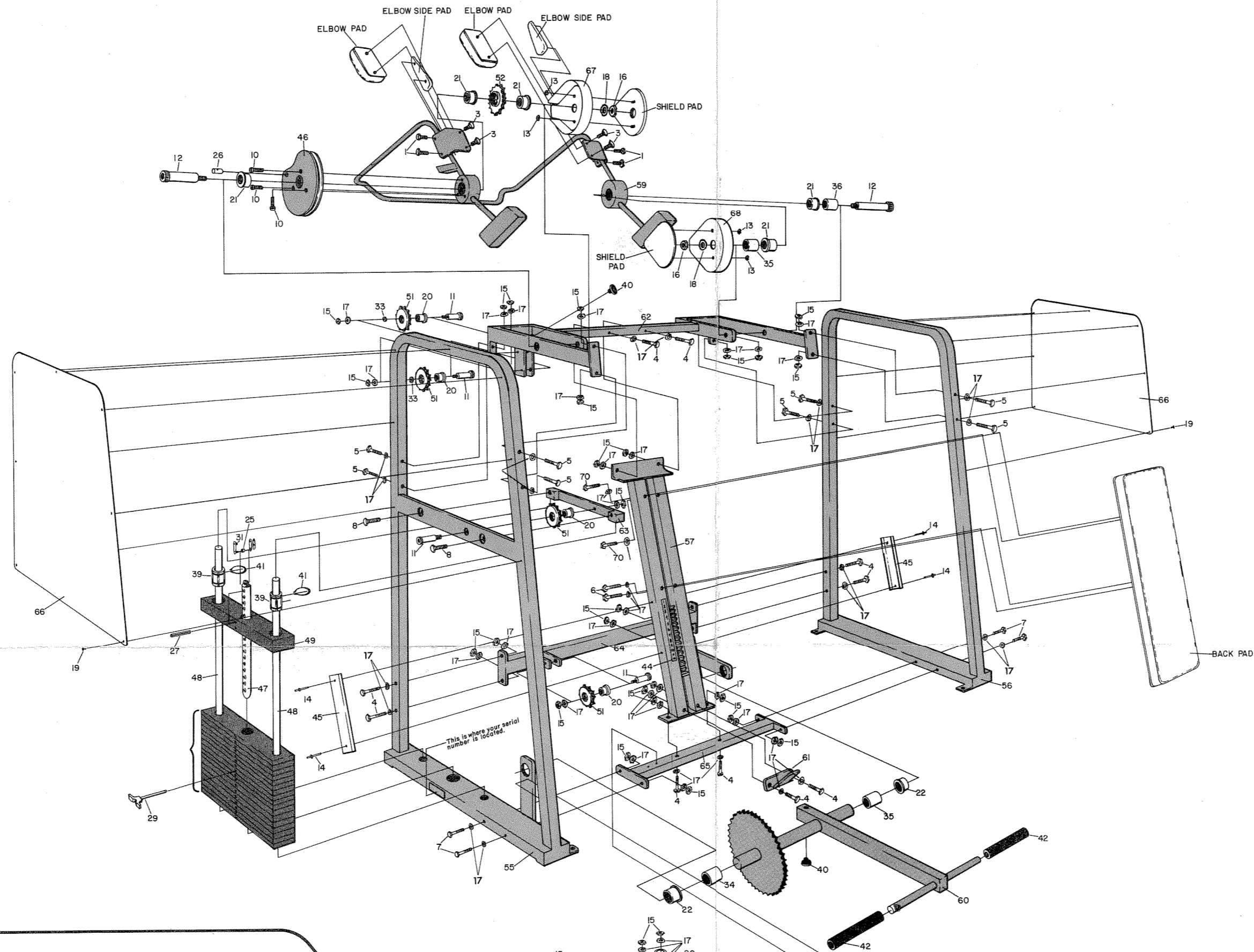


WOMEN'S PULLOVER

by Nautilus



1	3/8x1	HEX HD BOLT	49	20lb. TOP WEIGHT
2	3/8x1/4	" " "	50	10lb. BOTTOM WEIGHT
3	3/8x1/4	" " "	51	19TC-1 SPROCKET
4	3/8x2/4	" " "	52	23TC-3 " "
5	3/8x2/2	" " "	53	129" SINGLE CHAIN
6	3/8x3	" " "	54	30" " "
7	3/8x3 3/4	" " "	55	RIGHT SIDE FRAME
8	1/2x1	" " "	56	LEFT SIDE FRAME
9	1/4x1/4	ALLEN CAP SCREW	57	SEAT FRAME
10	3/8x1	" " "	58	SEAT
11	1/2x1/2	SHOULDER BOLT	59	MOVEMENT ARM
12	3/4x5 1/2	" " "	60	FOOT BAR
13	1/4	USS PLAIN NUT	61	FOOT BAR STOP
14	1/8	BLIND RIVET	62	WORK BOX
15	3/8	THIN ELASTIC LOK NUT	63	GUIDE ROD BAR
16	5/8	" " "	64	BACK CROSS MEMBER
17	3/8	INTERNAL LOK WASHER	65	BOTTOM CROSS MEMBER
18	5/8	" " "	66	SIDE FRAME SHIELD
19	1/8x1/2	SELF TAPPING SCREW	67	RIGHT W B SHIELD
20	1/2x3/4x3/4	BRASS BUSHING	68	LEFT W B SHIELD
21	3/4x1x1	" " "	69	FOOT BAR SHIELD
22	1/4x1/2x1/4	" " "	70	3/8x3/4 HEX HD BOLT
23	3/8	x5/16 NYLON BUSHING		
24	CBR-1	" " "		
25	CBR-12	" " "		
26	1/4	CAM NUT		
27	3/8x3	ROLL PIN		
28	#4	THICK BEARING		
29	#10	SELECTOR PIN		
30	#40	SINGLE MASTER LINK		
31	#2040	SINGLE COUPLER LINK		
32	#40	SINGLE HALF LINK		
33	1/2 x3/16	PIPE SPACER		
34	1 1/4x1 1/2	" " "		
35	3.4x1 1/2	" " "		
36	3.4x1	" " "		
37		SEAT BELT		
38	1/4	Sq. HOLE PLUG		
39		LINEAR BEARING		
40	RB#1	FLAT RUBBER BUMPER		
41	W-125	SNAP RING		
42	7/8	FOOT GRIP		
43	#5	SPRING		
44		SEAT ADJUSTMENT NUMBERS		
45	12"	ALUMINUM CHANNEL		
46	WFO	CAM		
47		19HOLE WEIGHT STACK PIN		
48	40	3/8 GUIDE ROD		