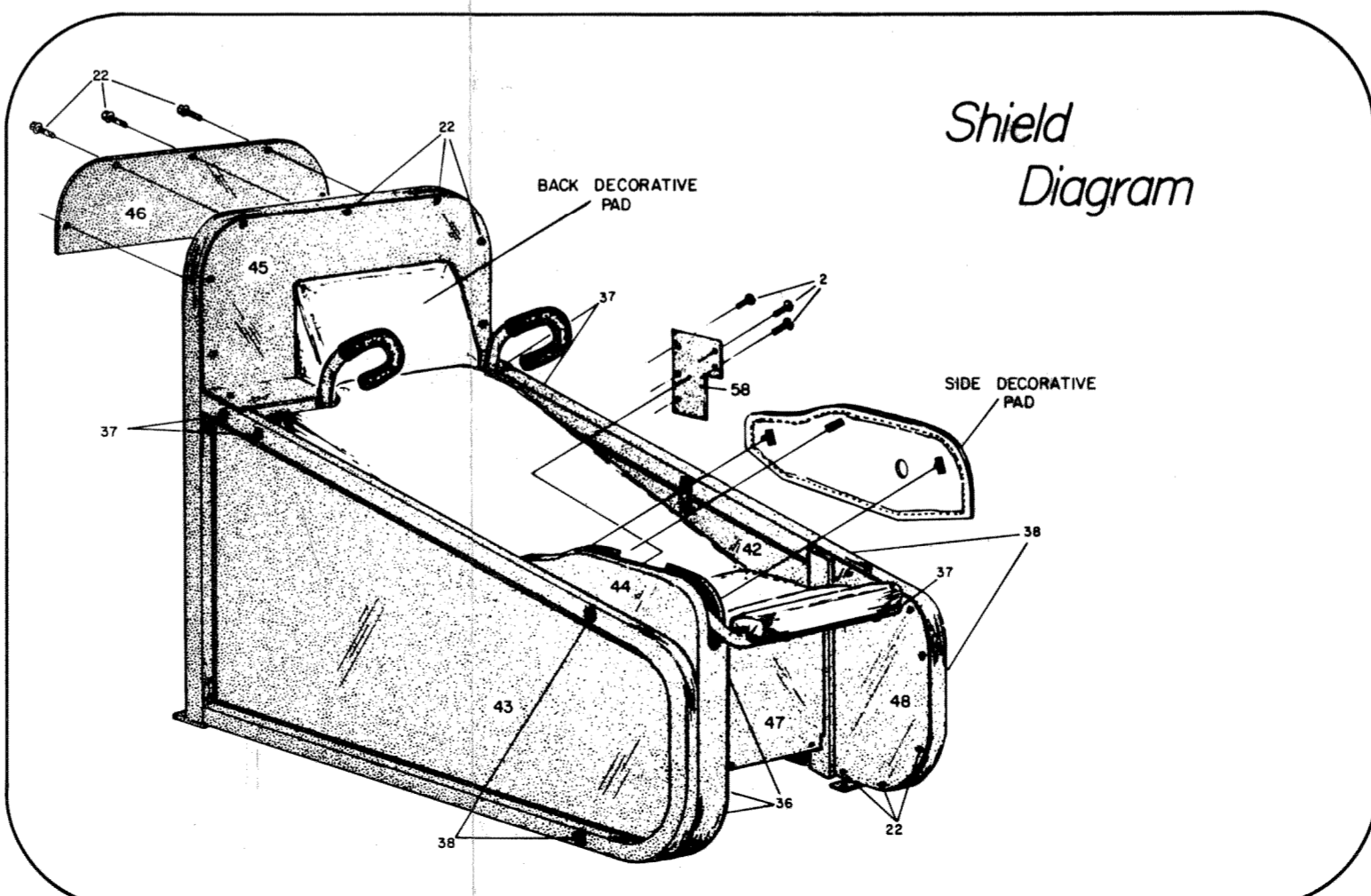
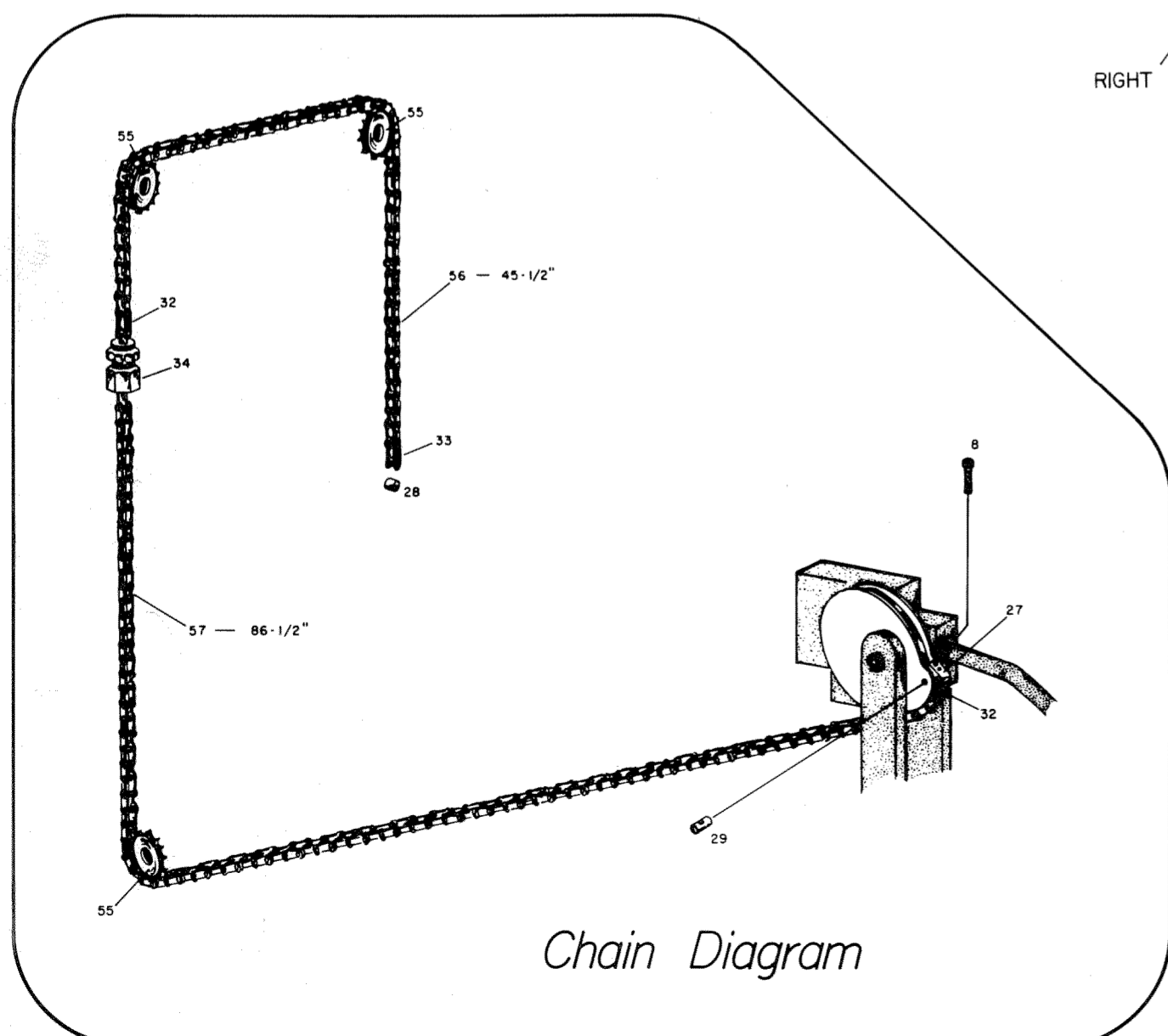
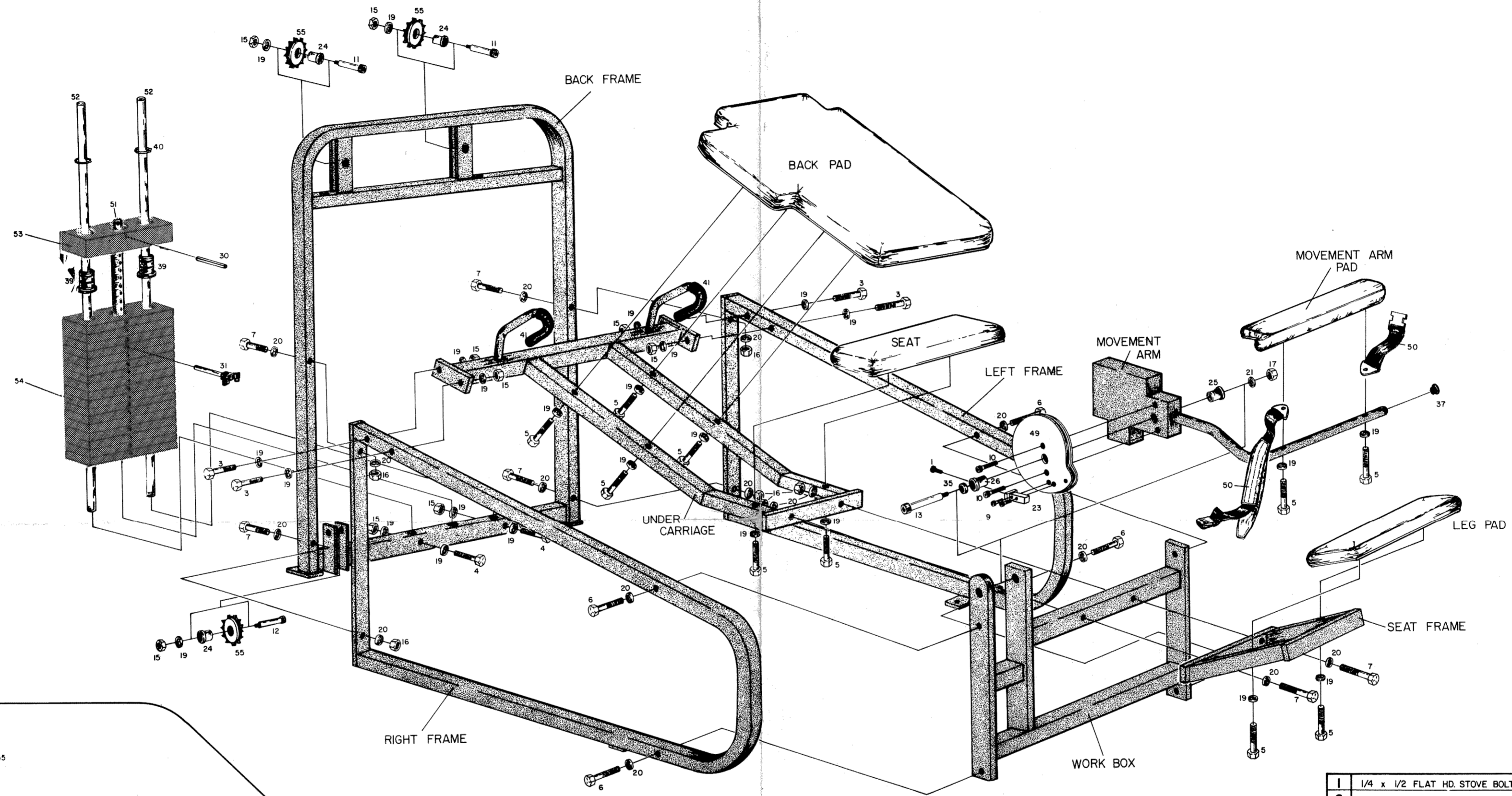


# HIP FLEXION

by **Nautilus®**



1	1/4 x 1/2 FLAT HD. STOVE BOLT
2	1/4 x 1/2 STOVE BOLT
3	3/8 x 1 HEX HEAD BOLT
4	3/8 x 2 "
5	3/8 x 2-3/4 "
6	1/2 x 1 "
7	1/2 x 3 "
8	1/4 x 1-1/4 ALLEN CAP SCREW
9	3/8 x 1-1/2 "
10	1/2 x 1-1/4 "
11	1/2 x 1 SHOULDER BOLT
12	1/2 x 1-1/2 "
13	3/4 x 4-1/4 "
14	1/4 HEX NUT USS
15	3/8 ELASTIC LOCK NUT - THIN
16	1/2 " "
17	5/8 " "
18	1/4 FLAT WASHER
19	3/8 INTERNAL LOCK WASHER
20	1/2 " "
21	5/8 " "
22	1/8 x 1/2 SELF TAPPING SCREW
23	1/4 x 1 x 3/4 NYLON STOP
24	1/2 x 3/4 x 3/4 BRASS BUSHING
25	3/4 x 1 x 1 "
26	3/4 x 1 x 1-1/2 "
27	CBR - #1
28	CBR - #12
29	1/4 CAM NUT
30	3/8 x 3 ROLL PIN
31	NO. 10 SELECTOR PIN
32	NO. 40 SINGLE MASTER LINK

33	NO. 2040 COUPLE LINK
34	CHAIN ADJ. ASSEMBLY
35	3/4 x 3/8 PIPE SPACER
36	3/4 HOLE PLUG
37	7/8 "
38	1 1/8 "
39	LINEAR BUSHING
40	W - 125 SNAP RING
41	7/8 x 1/8 x 8-3/4 HAND GRIP
42	LEFT SIDE SHIELD
43	RIGHT SIDE SHIELD
44	MOVEMENT ARM SHIELD
45	BACK FRAME FRONT SHIELD
46	BACK FRAME BACK SHIELD
47	WORK BOX SHIELD
48	INSIDE FRONT SHIELD
49	H F CAM
50	H F SEAT STRAP
51	19 - HOLE WEIGHT STACK PIN
52	39 3/4" GUIDE ROD
53	20 lb TOP WEIGHT
54	10 lb BOTTOM WEIGHT
55	19 TC - 1 SPROCKET
56	45-1/2" NO.40 SINGLE CHAIN
57	86-1/2" NO.40 SINGLE CHAIN
58	ACCESS PANEL