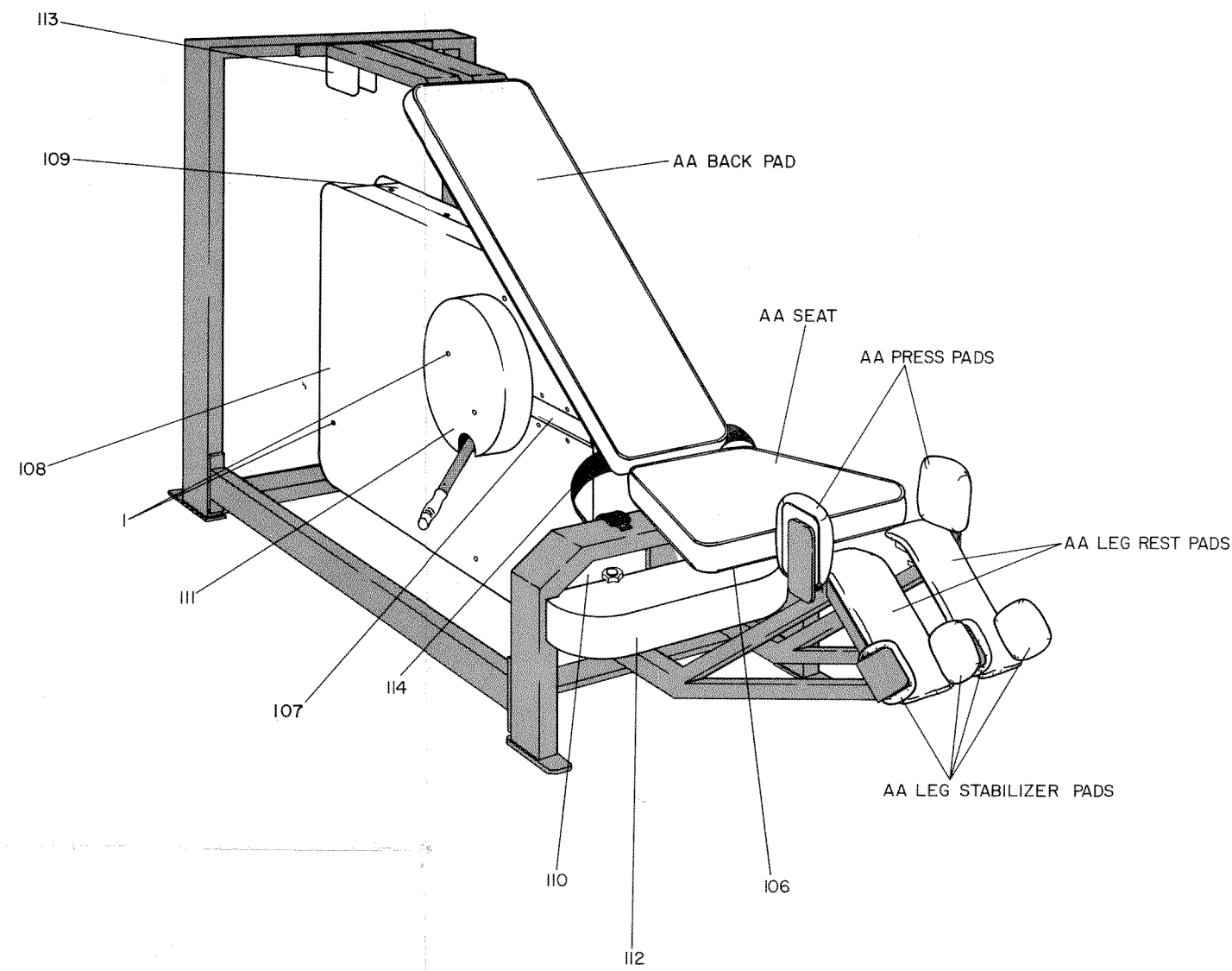
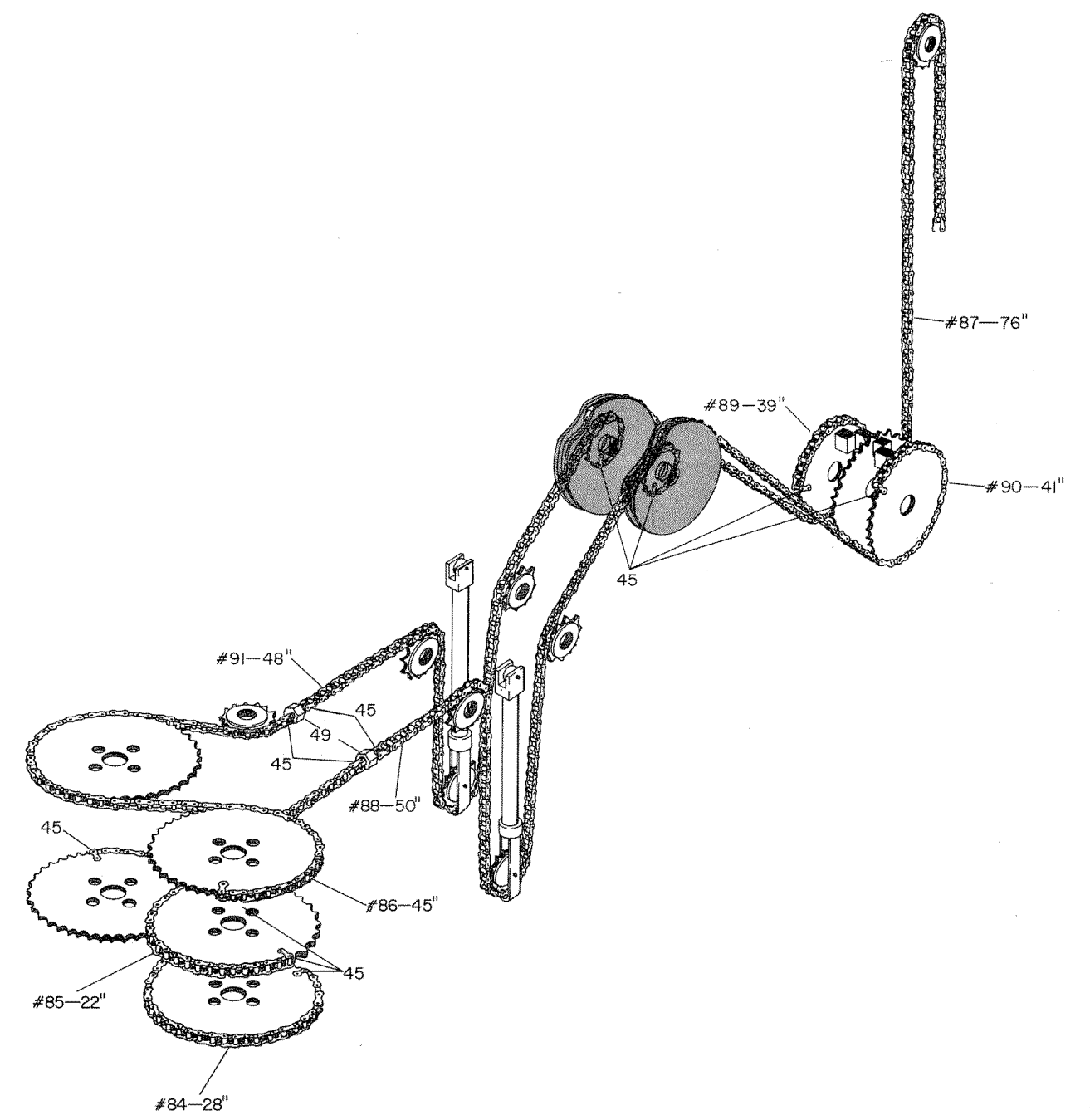


AA Shield and Pad Location



Conventional AA Timing Diagram



Modified AA Timing Diagram

