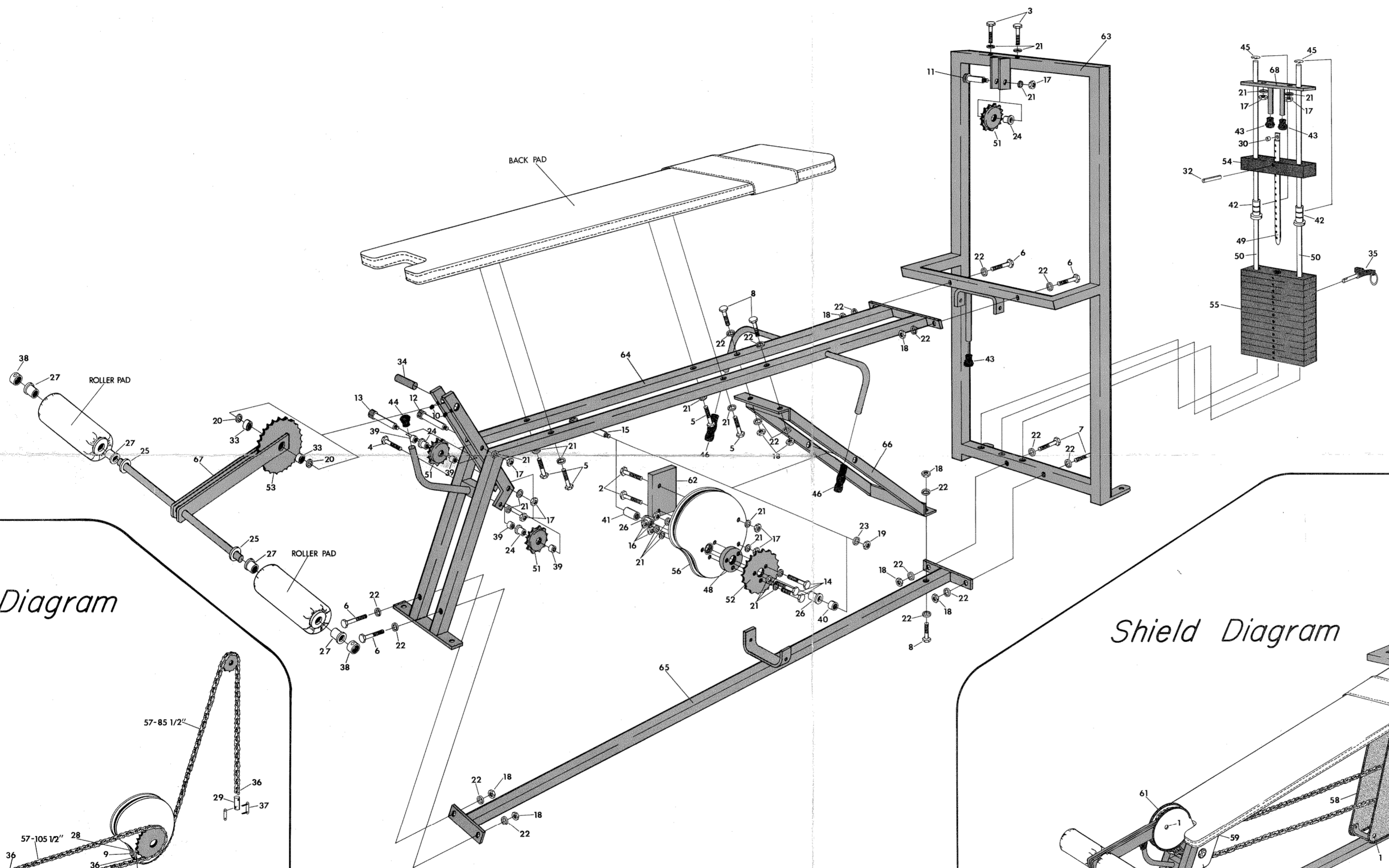


LEG CURL

by **Nautilus**



1	1/4 x 1/2 STOVE BOLT
2	3/8 x 2 1/4 HEX HEAD BOLT
3	3/8 x 2 1/2 " " " "
4	3/8 x 2 3/4 " " " "
5	3/8 x 3 " " " "
6	1/2 x 2 1/4 " " " "
7	1/2 x 2 1/2 " " " "
8	1/2 x 2 3/4 " " " "
9	1/4 x 1 1/2 ALLEN CAP SCREW
10	3/8 x 3/4 SET SCREW
11	1/2 x 1 3/4 SHOULDER BOLT
12	1/2 x 2 1/4 " " " "
13	1/2 x 2 1/2 " " " "
14	3/8 x 2 3/4 GRD 8 HEX BOLT
15	3/4 x 5 1/2 SHOULDER BOLT
16	3/8 THICK LOCK NUT
17	3/8 THIN " " " "
18	1/2 THIN " " " "
19	5/8 THIN " " " "
20	3/4 SAE FLAT WASHER
21	3/8 SAE INT. LOK WASHER
22	1/2 SAE " " " "
23	5/8 SAE " " " "
24	1/2 x 3/4 x 1 BRASS BUSHING
25	1 SAE FLAT WASHER
26	3/4 x 1 x 1 BRASS BUSHING
27	1 x 1 1/4 x 3/4 " " " "
28	CBR - 1
29	CBR - 2
30	CBR - 12
31	1/4 CAM NUT
32	3/8 x 3 ROLL PIN
33	#2 BEARING
34	3/4 x 2 9/16 M.A. PIN
35	#10 SELECTOR PIN

36	#40 MASTER LINK
37	#2040 " " "
38	1 LOCK COLLAR
39	1/2 x 1/4 PIPE SPACER
40	3/4 x 3/8 " " " "
41	3/4 x 1 1/4 " " " "
42	3/4 LINEAR BEARING
43	3/4 BUMPER STOP
44	1 " " " "
45	W-125 SNAP RING
46	7/8 HAND GRIP
47	#3 SPRING
48	SR12 CAM SPACER
49	14 HOLE WEIGHT PIN
50	3/4 SS Ø GUIDE ROD
51	19TC-2 SPROCKET
52	48TA-2 " " "
53	48TA-5 " " "
54	20lb. TOP WEIGHT
55	10lb. BOTTOM WEIGHT
56	LC CAM
57	#40 SINGLE CHAIN
58	WORKBOX SHIELD
59	LEFT REDIR. " " "
60	RIGHT " " " "
61	MOVEMENT ARM " " "
62	LC COUNTERWEIGHT
63	BACK FRAME
64	SEAT " " " "
65	BOTTOM " " " "
66	WORKBOX " " " "
67	MOVEMENT ARM
68	WEIGHTSTOP
69	BACK FRAME SPROCKET SHIELD

