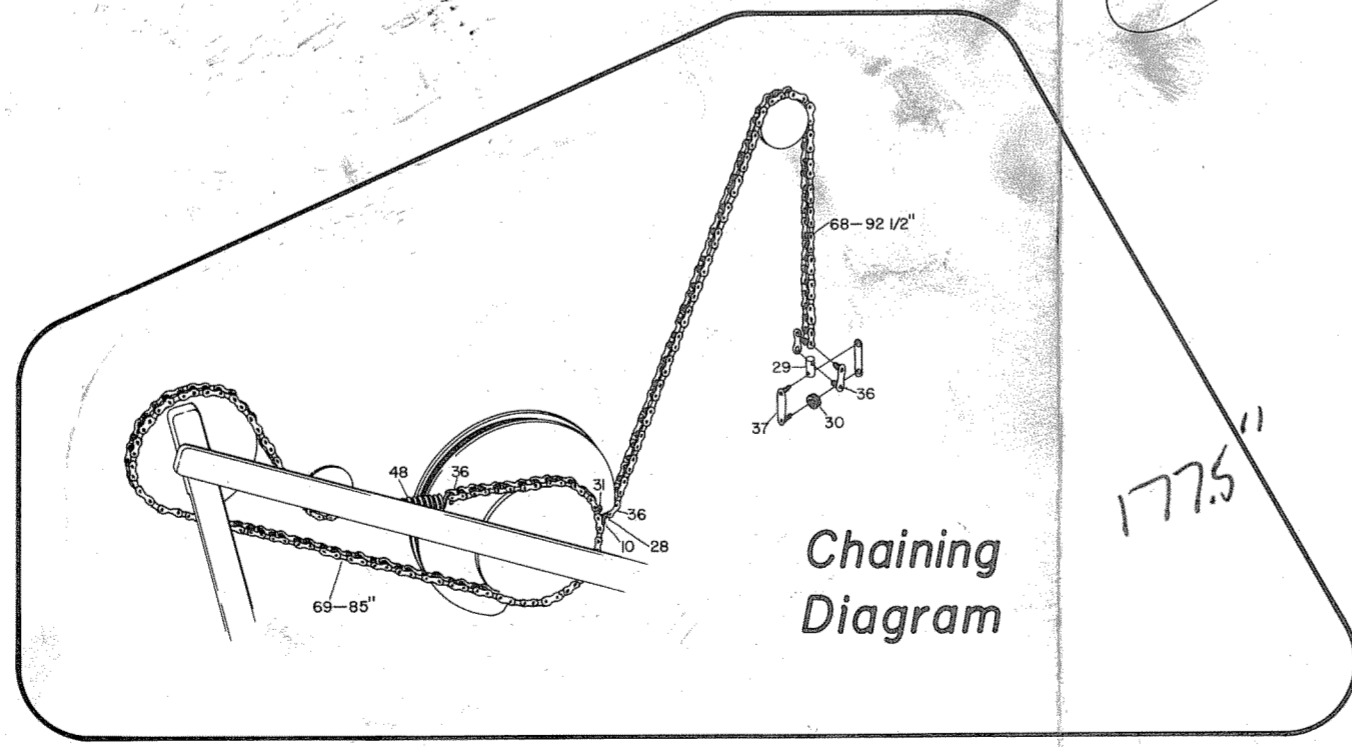
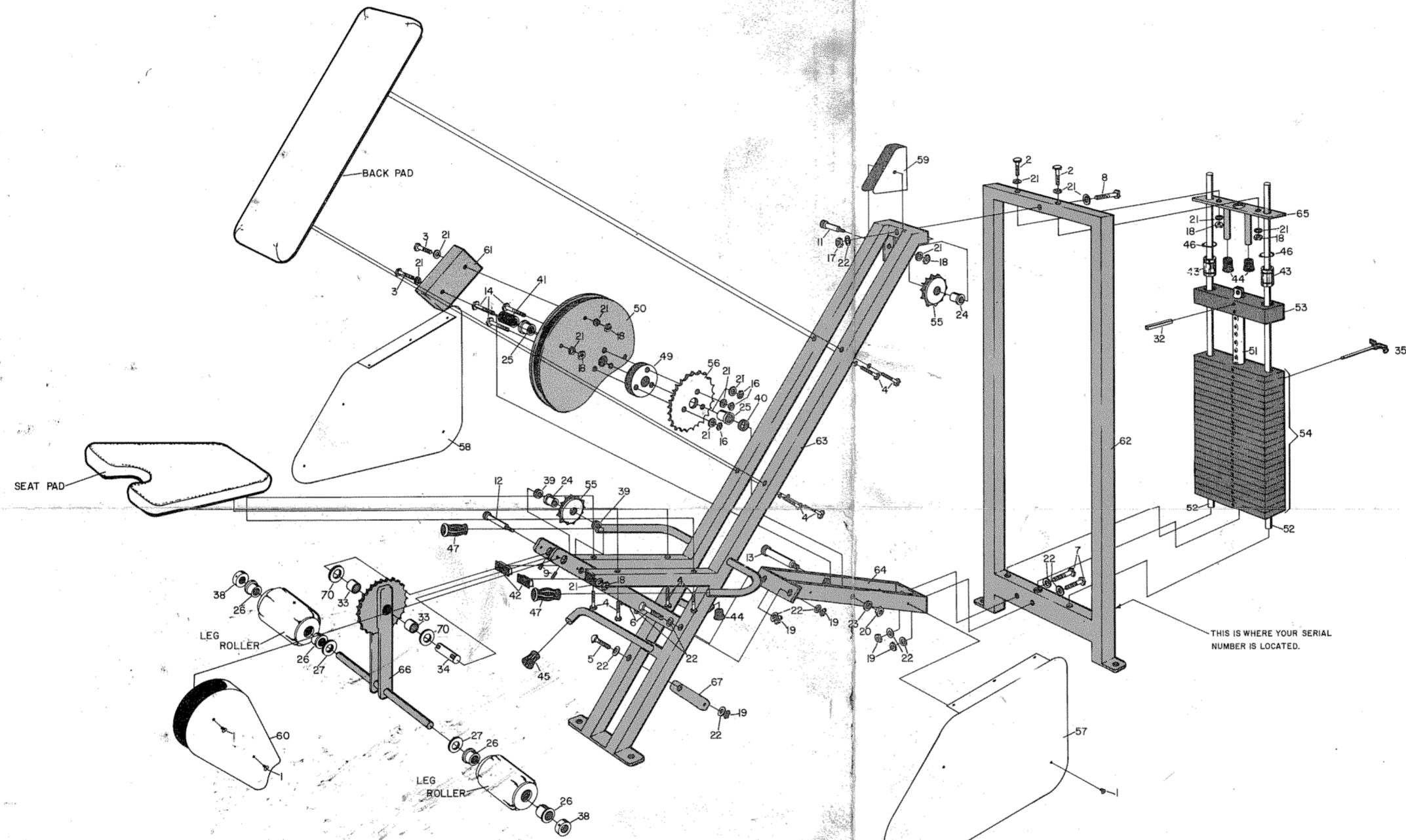


LEG EXTENSION

by Nautilus



1	1/4 x 1/2 STOVE BOLT	49	SR-12 SPACER
2	3/8 x 2 1/2 HEX HD BOLT	50	LE CAM
3	3/8 x 2 3/4 " " "	51	24 HOLE WT STACK PIN
4	3/8 x 3 " " "	52	55 1/2" GUIDE ROD
5	1/2 x 2 1/4 " " "	53	20lb. TOP WEIGHT
6	1/2 x 2 1/2 " " "	54	10lb. BOTTOM WEIGHT
7	1/2 x 3 " " "	55	19TC-2 SPROCKET
8	1/2 x 4 1/2 " " "	56	4BTA-2 " "
9	3/8 x 1/2 SET SCREW	57	LT. WORK BOX GUARD
10	1/4 x 1/4 ALLEN CAP SCREW	58	RT " " "
11	1/2 x 1 3/4 SHOULDER BOLT	59	REDIRECTIONAL GUARD
12	1/2 x 2 3/4 " " "	60	MOVEMENT ARM GUARD
13	3/4 x 5 1/2 " " "	61	COUNTER WEIGHT
14	3/8 x 2 3/4 HEX HD BOLT	62	BACK FRAME
15	1/4 ELASTIC LOK NUT THICK	63	FRONT FRAME
16	3/8 " " " "	64	WORK BOX
17	1/2 " " " "	65	WEIGHT STOP
18	3/8 " " " THIN	66	MOVEMENT ARM
19	1/2 " " " "	67	REDIRECTIONAL BRACKET
20	5/8 " " " "	68	92 1/2" SINGLE CHAIN
21	3/8 INTERNAL LOK WASHER	69	85" " " "
22	1/2 " " " "	70	3/4 FLAT WASHER
23	5/8 " " " "		
24	1/2 x 3/4 x 1 BRASS BUSHING		
25	3/4 x 1 x 1 " " "		
26	1 x 1 1/4 x 3/4 " " "		
27	1" SAE FLAT WASHER		
28	CBR-1		
29	CBR-2		
30	CBR-12		
31	1/4 CAM NUT		
32	3/8 x 3 ROLL PIN		
33	#2 BEARING 22B12		
34	3/4 x 3/8 M.A. PIN		
35	#10 SELECTOR PIN		
36	#40 SINGLE MASTER LINK		
37	#2040 SINGLE COUPLER LINK		
38	1" LOCK COLLAR		
39	1/2 x 3/8 PIPE SPACER		
40	3/4 x 3/8 " " "		
41	3/4 x 1 3/4 " " "		
42	1/4 SQ. HOLE PLUG		
43	LINEAR BEARING		
44	3/4 RUBBER BUMPER		
45	#20 BUMPER STOP		
46	W-125 SNAP RING		
47	7/8 HAND GRIP		
48	#3 SPRING		